

Harrier
56

CODE 343A
(Blade Brake Clutch - Auto Drive)

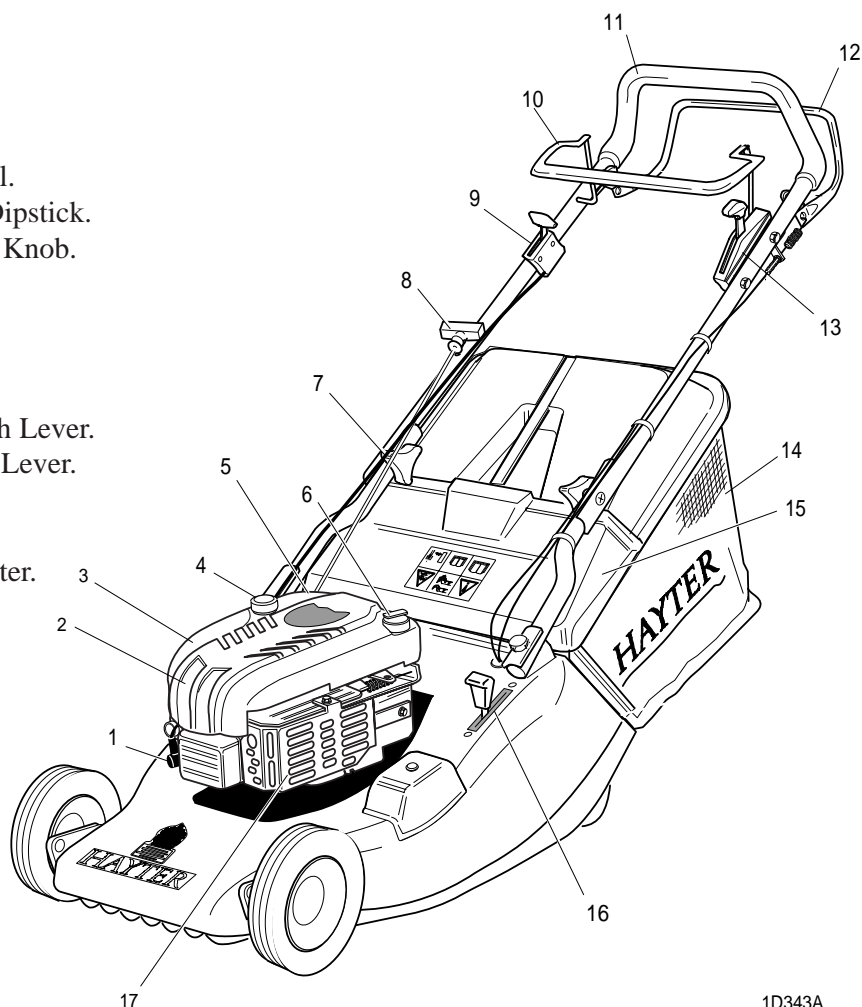
OWNER'S HANDBOOK

(English Version)
FROM SERIAL NO: 343A001001
ISSUE 06.11.01

HANDBOOK: 343049 (REV .0.)

Main Features

1. Spark Plug Lead.
2. Engine Cover
3. Air Cleaner.
4. Fuel Filler Cap.
5. Serial Number Label.
6. Oil Filler Cap and Dipstick.
7. Handlebar Securing Knob.
8. Engine Start-Grip
9. Throttle Control.
10. Blade Stop Lever.
11. Handlebar.
12. Ground Drive Clutch Lever.
13. Blade Brake Clutch Lever.
14. Grassbag Assembly.
15. Rear Deflector.
16. Height of Cut Adjuster.
17. Muffler Guard.



1D343A

Specifications

Engine	Briggs & Stratton INTEK-55
Engine type	111682-0164-E1
Engine/Cutterblade speed	2900 rpm
Fuel type	Unleaded petrol
Fuel capacity	1.5 litres
Oil type	SAE 30 engine oil
Oil sump capacity	0.6 litres
Cutting width	560mm
Cutting height	10 - 60mm
Overall dimensions	1,511 x 591 x 1,156mm
Dry Weight	51Kg

CONTENTS

- 1.2 Main Features/Specifications**
- 1.3 Contents**
- 1.4 Introduction**
- 1.5 Warranty**
- 1.6 - 1.9 Safety Precautions**
 - 1.9 Safety Symbols**
 - 1.9 Decal Symbols**
 - 1.10 Assembling the Mower**
 - 1.10 - *Delivery Checklist*
 - 1.10 - *Handlebar*
 - 1.10 - *Grassbag Attachment*
 - 1.11 Before Starting the Engine**
 - 1.11 - *Prevent Engine Damage*
 - 1.11 - *Oil Type*
 - 1.11 - *Check Oil Level*
 - 1.11 - *Fuel Type*
- 1.12 - 1.15 Operating The Mower**
 - 1.12 - *Controls*
 - 1.12 - *Starting Step 1*
 - 1.12 - *Step 2*
 - 1.13 - *Step 3*
 - 1.13 - *Forward Travel*
 - 1.13 - *Turning*
 - 1.13 - *Stopping*
 - 1.14 - *Slopes*
 - 1.14 - *Height of Cut*
 - 1.14 - *Before Mowing*
 - 1.14 - *Grassbag*
 - 1.15 - *Without Grass Collection*
 - 1.15 - *Heavy Growth*
 - 1.15 - *Friction Device*
 - 1.15 - *Non-Grassed Areas*
 - 1.16 - 1.17 - *Lawn Care Calendar - Guide Only*
 - 1.17 - *Lawn Stripes*
- 1.18 Maintenance Schedule**
- 1.19 - 1.25 Mower Maintenance**
 - 1.19 - *Engine*
 - 1.19 - *Throttle Cable Adjustment*
 - 1.19 - *Carburettor Adjustments*
 - 1.20 - *Oil Service*
 - 1.20 - *Air Cleaner Service*
 - 1.21 - *Spark Plug Service*
 - 1.21 - *Keeping Engine Clean*
 - 1.21 - *Grassbag*
 - 1.22 - *Deck Housing*
 - 1.22 - *Securing Nuts and Bolts*
 - 1.22 - *Clutch Cable Adjustment*
 - 1.23 - *Lubrication*
 - 1.23 - *Cutterblade Removal*
 - 1.24 - *Cutterblade Assembly*
 - 1.24 - *Cutterblade Sharpening*
 - 1.25 - *Storage*
- 1.26 - 1.27 Trouble Shooting**
- 1.28 Declaration of Conformity**
- 1.29 - 1.31 Parts List**
 - 1.32 Parts list Diagram**
 - 1.33 Customer Info/Notes**

INTRODUCTION

Thank you for purchasing a **Hayter** mower. The following pages are designed to help you gain safe and efficient service from your mower.

IMPORTANT: This 'Owners Handbook' should be regarded as part of the mower as it gives essential information regarding mower safety, operation, maintenance and specifications. Read and understand this handbook prior to operating your mower for the first time. Make sure you are familiar with all the controls and points of regular maintenance. If you have any doubts, consult your local **Hayter** authorised dealer who will be pleased to give you assistance.

IMPORTANT: This mower is designed solely for use in a domestic grass cutting environment. Use in any other way is considered as contrary to the intended use. Compliance with and strict adherence to the conditions of operation, service and repair as specified in this handbook also constitute essential elements of the intended use.

This mower should be operated, serviced and repaired only by persons who are familiar with its particular characteristics and who are acquainted with the relevant safety procedures.

The safety precautions listed in this handbook and all other generally recognised regulations on safety must be observed at all times.

Any arbitrary modifications carried out to this machine may relieve Hayter Limited of liability for any resulting damage or injury.

Hayter mowers are robustly constructed and designed for efficient economical performance under normal mowing conditions. Correct operation and maintenance will ensure a long and satisfactory service life. Prior to despatch from our factory every effort is made to ensure that your mower is delivered in perfect condition.

Throughout this handbook all references to **left** and **right** are as viewed from behind the handlebar, in the direction of forward travel.

This handbook is based on information available at the time of publication.

HAYTER LIMITED reserve the right to amend product specifications without prior notification.

WARRANTY

LIMITED WARRANTY

Hayter Limited warrants to the original user/purchaser that this unit shall be free from defects in material and workmanship under normal use and service for a period of **three years** from the date of purchase. The manufacturer of the engines furnish their own warranty and services are provided through their authorised network (Refer to "Engine Warranty Statement"). To qualify for the full benefit of the warranty, the warranty registration card must be returned within 60 days of purchase. Subject to the conditions and exclusions noted in this limited warranty, we shall at our option, repair or replace any warranted part during the applicable period. If you are in doubt or experience any difficulty, please consult a Hayter Authorised Service Dealer for clarification.

To qualify for the extended warranty (second and third year) of the three year limited warranty the machine must have annual services carried out by an Authorised Hayter Service Dealer. These chargeable services should be carried out within 12 and 24 months of the date of purchase.

Excluded from the extended warranty period are those items which are subject to normal wear and tear e.g. tyres, wheels, cutterblades, cables, batteries and other consumable wearing parts.

All consumer machines which are fitted with a **genuine** Hayter friction disc as original equipment before use, are covered by a **Lifetime Warranty** against the engine crankshaft bending. **Note:** friction washers, blade brake units and other such devices are not applicable. Only machines fitted with a **genuine** Hayter friction disc, which are used in accordance with the recommended operating and maintenance procedures, are covered.

This warranty does not apply to any unit that has been tampered with, altered, misused, abused or used for hire, and will become invalid if non genuine Hayter parts are fitted. This warranty does not cover minor mechanical adjustments unless they are due to defective material or workmanship. Consult the Owner's Handbook or a Hayter Authorised Service Dealer for assistance when making these adjustments.

A warranty period of 90 days applies to machines used for commercial purposes.

To make a warranty claim, return the unit to a Hayter authorised dealer along with proof of purchase stating the machine serial number and date of purchase. The service receipt(s) or this Owners Handbook with the 1st/2nd year service boxes fully completed, must be produced as proof of entitlement to the extended warranty period. Subject to the conditions and exclusions in this limited warranty, the authorised dealer will, at our option, repair or replace any warranted part within the duration of the warranty period.

This limited warranty gives you specific legal rights and is in addition to any statutory rights to which you may be entitled and your statutory rights are not affected by this warranty. If you need additional information concerning this written warranty, or assistance in obtaining services, please write to : **HAYTER LIMITED, Service Department, Spellbrook, Bishop's Stortford, Hertfordshire CM23 4BU**

UK ONLY: Details of your local **Hayter** authorised dealer are contained in Yellow Pages or contact:- Freephone 0800 616298.

1st Year
Service
Record

DEALER STAMP

2nd Year
Service
Record

DEALER STAMP

Issue: 12.10.00

Date.....

Date.....

Signed.....

Signed.....

SAFETY PRECAUTIONS

Safety Alert Symbol



This safety alert symbol indicates important safety messages. When you see this symbol be alert to the possibility of injury. Carefully read the following and inform others.

Your mower is perfectly safe if used correctly. Failure to observe the following precautions may result in serious injury.

Training



Before using the mower read the owners handbook carefully. Pay particular attention to the safety precautions. Ensure that you are familiar with the controls and the proper use of the equipment. Learn how to stop the mower quickly in an emergency.

Never allow children or people unfamiliar with these instructions to use the mower.

Never mow while people, especially children, or pets are nearby.

Keep in mind that the user is responsible for accidents or hazards occurring to other people or their property.

Preparation



While mowing, always wear substantial footwear and long trousers. Do not operate the equipment when barefoot or wearing sandals.

Thoroughly inspect the area where the mower is to be used and remove all objects which may be thrown by the machine.

WARNING: Petrol is highly flammable.

- Store fuel in containers specifically designed for this purpose.
- Before starting the engine add fuel outdoors only. Never remove the cap from the fuel tank or add petrol while the engine is running or when the engine is hot. Allow the engine to cool for at least two minutes before refuelling. Do not smoke while refueling.
- Do not attempt to start the engine if petrol is spilled or a smell of petrol is present. Move the mower away from the area of spillage and avoid creating any source of ignition until petrol vapours have dissipated.

SAFETY PRECAUTIONS

Preparation

- Always use fresh fuel. Stale fuel can block the carburettor and cause leakage.
- Replace fuel tank and oil tank caps securely.

A damaged cutterblade or loose fixing bolt are major hazards. Before use, always visually inspect the cutting mechanism to ensure that it is in good condition. A damaged cutterblade must be replaced immediately with a genuine Hayter replacement part



Operation

Do not operate the engine in a confined space where exhaust fumes (carbon monoxide) can collect. Refuel outdoors only and do not smoke while refuelling.

Always pull the starter cord slowly until resistance is felt. Then pull the cord rapidly to avoid kickback and prevent hand or arm injury.

Mow only in daylight or good artificial light.

Avoid using the mower on wet grass, where feasible.

Always be sure of your footing on slopes.

Walk, never run.

Mow across the face of slopes, never up and down.

Exercise extreme caution when changing direction on slopes.

Do not mow excessively steep slopes of more than 20 degrees.

Use extreme caution when reversing or pulling the mower towards you.

Stop the engine before moving the mower across areas other than grass.

Never operate the mower unless the guards are securely in position and in good condition.

Do not change the engine governor settings or overspeed the engine.

Disengage the rear roller drive clutch before starting the engine.

Start the engine carefully, with feet well away from the cutterblade.



SAFETY PRECAUTIONS

Operation



- Do not tilt the mower when starting the engine.
- Do not put hands or feet near or under rotating parts.
- Never pick up or carry the mower while the engine is running.
- Never lift the rear deflector while the engine is running.
- Never touch the exhaust/exhaust guard or cooling fins when the engine is hot.

Stop the engine and disconnect the spark plug lead:

- Before clearing blockages or unclogging the discharge chute.
- Before cleaning/checking or working on the mower.
- After striking a foreign object. Inspect the mower for damage and ensure necessary repairs are made before re-starting.
- If the mower starts to vibrate abnormally (check immediately).

Stop the engine:

- Whenever you leave the mower.
- Before refuelling.

Maintenance & Storage



- Keep all nuts, bolts and screws tight to ensure that the equipment is in safe operating condition.
- Frequently check fuel lines and fittings for cracks or leaks and replace if necessary.
- Never check for a spark when the spark plug is removed. (Use approved tester)
- Inspect the exhaust periodically and replace if worn or leaking.
- Never crank the engine with the spark plug removed.
- Never start the engine with the air-cleaner or air-cleaner cover removed.
- Never store the mower with petrol in the tank within an enclosed area where fumes may reach an open flame or spark.

SAFETY PRECAUTIONS

Maintenance & Storage

Allow the engine to cool before storing in any enclosure. To reduce the fire hazard, keep the engine and the surrounding deck area free of grass, leaves, or excessive grease.

Check the rear deflector and grassbag frequently for wear or deterioration. Replace worn or damaged parts for safety.

If the fuel tank has to be drained, this should be done outdoors and when the engine is cool.

Wear strong work gloves when removing and reassembling the cut-terblade.

Always replace worn or faulty parts with genuine Hayter parts.

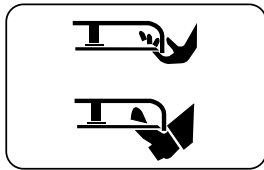


Safety Symbols

Safety Alert - Be aware to the possibility of injury.



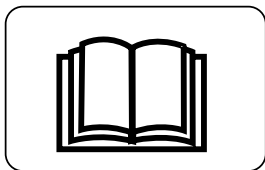
Danger of severing toes or fingers in cutting mechanism.



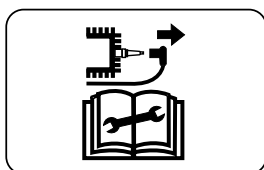
Danger of being hit by thrown objects.



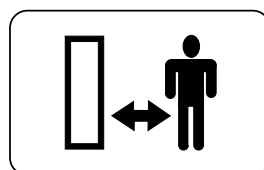
Carefully read the Owners Handbook before using the machine.



Stop engine and remove spark plug lead before working on the mower.

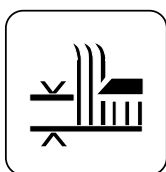


Keep bystanders at a safe distance from the mower.



Decal Symbols

Height of Cut Adjustment (Symbol)



Throttle Control (Symbols)



Throttle Control (Symbol)



ASSEMBLING THE MOWER

Delivery Checklist

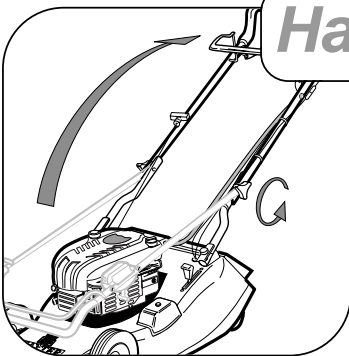


Remove the mower from the packaging and check that the following items have been supplied correctly. If any items are missing contact your local Hayter dealer.

1. Owner's Handbook.
2. Warranty Reg. Card.
3. Grassbag.

To prevent accidents cut off the long ribbon attached to the grassbag and discard.

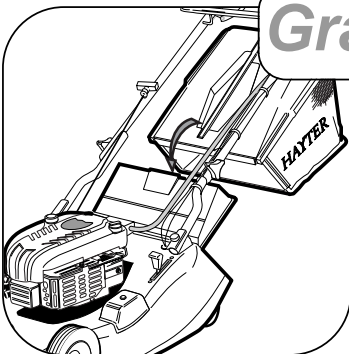
Handlebar



Unscrew the handlebar securing knobs sufficiently to allow the handlebar to pivot. Move the engine stop lever away from the engine to avoid damage and unfold the handlebar to the operating position. Tighten both handlebar knobs to secure the handlebar in position.

Take care to ensure that the control cables do not become snagged at the pivot point.

Grassbag Attachment

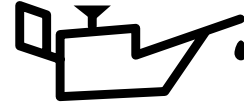


Raise the rear deflector, lower the grassbag through the handlebar and hook in position. Lower the deflector to rest on the grassbag

BEFORE STARTING THE MOWER

Prevent Engine Damage

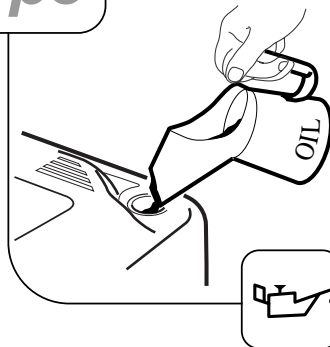
To prevent engine damage the engine is shipped without oil or petrol. The engine must be filled with the correct grade of oil and petrol before starting the engine.



Oil Type

Always use high quality detergent oil classified SAE 30 oil. Never use additives with recommended oil.

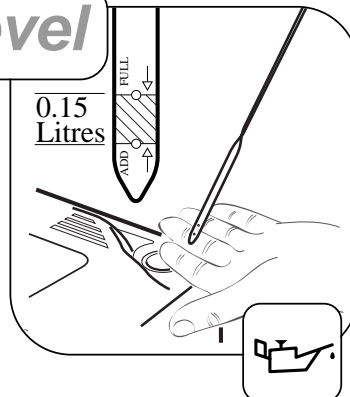
To prolong the life of your engine it is important that the oil is changed after the first 5 hours of use - refer to 'Maintenance Schedule'.



Check Oil Level

Clean around the oil filler cap before removing. With the mower on a level surface, unscrew and remove the oil filler - dipstick. Wipe oil from it with a clean cloth. Screw the oil filler - dipstick back in place, then unscrew and remove it to check the oil level.

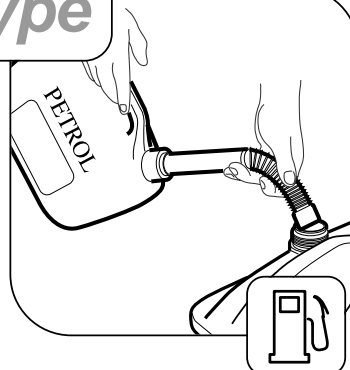
The oil level is correct when it is at the **full** mark on the dipstick.
DO NOT OVERFILL.



Fuel Type

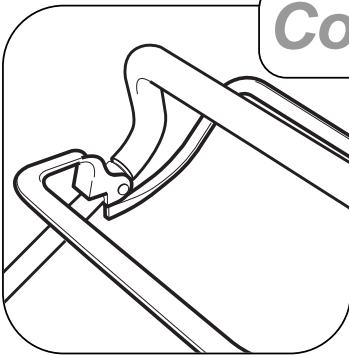
Always use clean, fresh unleaded petrol. Purchase fuel in quantities that can be used within 30 days. Never mix oil with petrol. For added engine protection Briggs & Stratton recommend the use of their fuel additive which is available from an authorised Briggs & Stratton service dealer.

Fill to base of neck to allow for fuel expansion. Do not overfill the fuel tank.



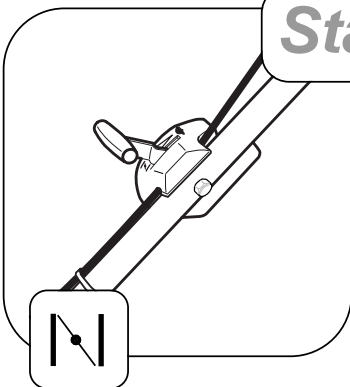
OPERATING THE MOWER

Controls



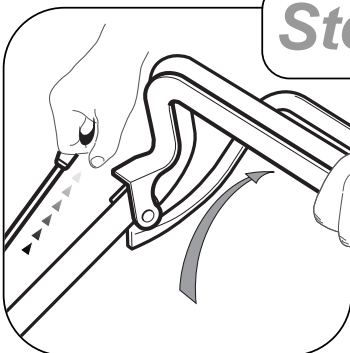
Operate all control levers several times and ensure that the cables move freely. Check that the cutterblade stop and ground drive clutch levers return freely to their rest position when released. Whilst operating the engine throttle mechanism slight resistance should be felt when moving the lever to the '**choke**' position.

Starting - Step 1



Move the throttle control lever to the '**choke**' position before starting a cold engine. Move the throttle control lever to the '**fast**' position before starting a warm engine.

Step 2

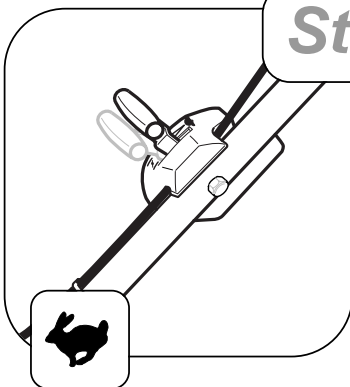


Stand behind the mower and hold the handlebar with your left hand. With your right hand hold the engine start - grip and pull slowly until resistance is felt, then pull rapidly to crank the engine. Carefully return the start grip to the storage position when the engine starts.

If the engine does not start after 5 attempts - refer to "Trouble Shooting".

Note: The cutterblade is not engaged at this stage.

Step 3



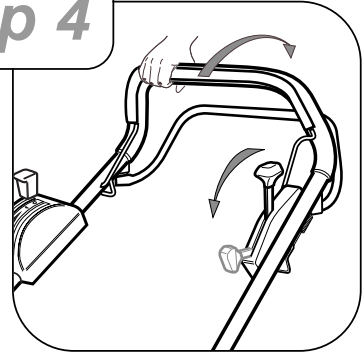
Allow the engine to warm up and move the throttle lever to the '**fast**' position after starting a cold engine.

To prevent damage never pull the engine start grip when the engine is running.

OPERATING THE MOWER

Step 4

To engage the cutterblade hold the cutterblade stop lever against the handlebar with your right hand and with your left hand push the blade brake clutch lever forwards to engage. Release the blade brake clutch lever and it will return to its rest position.

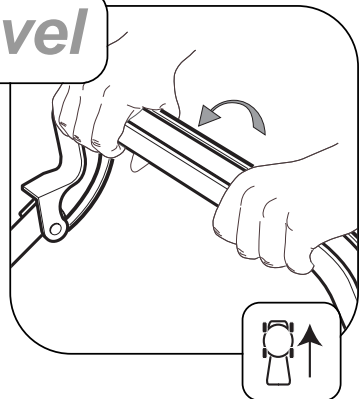


Forward Travel

Hold the handlebar and operate the ground drive clutch lever to power the mower in a forward direction.

When the ground drive clutch lever is disengaged the mower may be pushed. This feature is useful when mowing in confined areas.

If the cutterblade stop lever is released the cutterblade will stop.



Turning

To make a wide turn steer the mower with the handlebar in the direction required.

To make a tight turn release the ground drive clutch lever, apply downward pressure on the handlebar to raise the front wheels just above ground level and steer in the required direction.

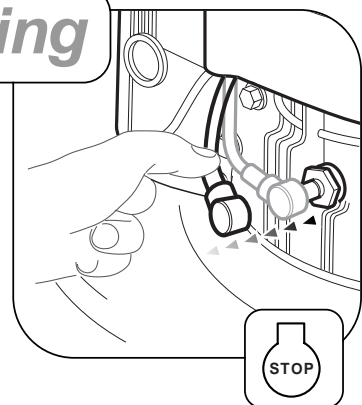
To prevent accidents do not raise the front of the mower excessively when making a turn. Never raise the rear of the mower when the engine is running.



Stopping

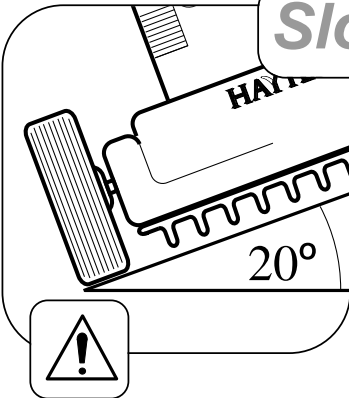
Release both ground drive clutch lever and the cutterblade stop lever. Pull the throttle lever to the rear most position.

Emergency stop If the engine fails to stop, disconnect the spark plug lead.



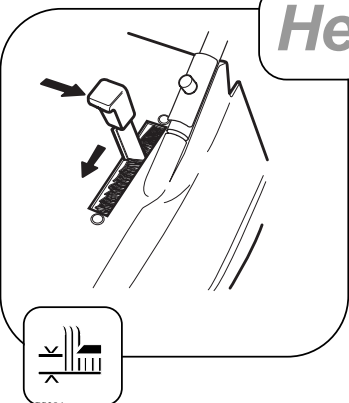
OPERATING THE MOWER

Slopes



To prevent engine damage do not use the mower on slopes greater than 20 degrees.

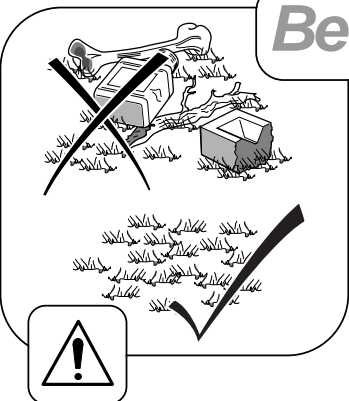
Height of Cut



To adjust the height of cut: Grip the lever and pull sideways to disengage it from the locking notch, then push forwards to lower or pull backwards to raise the height of cut. Finally release the lever at the required position and ensure it locks firmly into one of the nine setting notches.

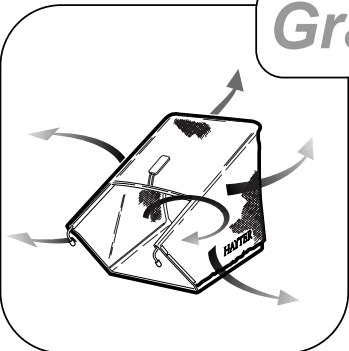
Always select a height of cut to suit operating conditions. Aim to prevent engine overloading and blockages by avoiding low cuts in long grass conditions. Be prepared to make two cuts when the grass is long.

Before Mowing



To prevent accidents, thoroughly inspect the area and remove all objects which when contacted by the mower cutterblade could become dangerous projectiles. Inspect the area for hidden obstructions which when contacted by the cutterblade could risk health and safety. Remember the location of these obstructions and ensure that you mow around them.

Grassbag



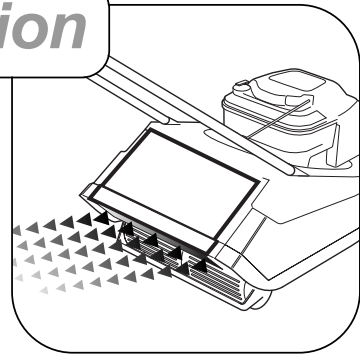
Raise the rear deflector and lift the grassbag through the handlebar and lower the rear deflector to rest against the rear of the mower.

To empty the grassbag, pour out the grass clippings and shake the grassbag vigorously to clean the airways. Good grass collection depends on good air flow through the grassbag. When collecting grass clippings it is important that the grassbag is emptied regularly to prevent blockages and engine overloading.

OPERATING THE MOWER

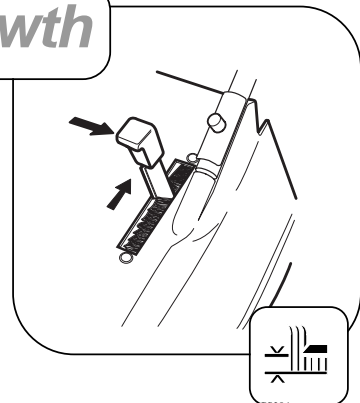
Without Grass Collection

Remove the grassbag and operate the mower with the rear deflector in the closed position.



Heavy Growth

Areas of heavy growth should be mown without collecting the clippings. If collection is required, first mow the area without the grassbag at the maximum height of cut setting. Allow the grass clippings to dry out and then mow the area at the maximum height of cut setting with the grassbag fitted. Reduce the height of cut and mow the area again as necessary until the required finish is obtained.

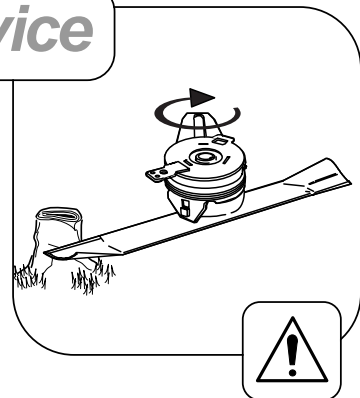


To prevent grass damage do not remove more than one third of grass height in one cut.

Friction Device

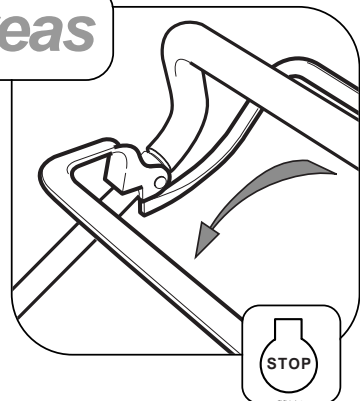
A friction device in the blade brake/clutch helps prevent damage occurring to the cutting mechanism when a hidden obstruction or overload is encountered. When the obstruction or overload is removed, the friction device will automatically reset.

Always stop the engine when a hidden obstruction or excessive vibration is encountered. Disconnect the spark plug lead and examine the cutting mechanism. ALWAYS replace a damaged cutterblade - refer to "Maintenance".



Non-Grassed Areas

When moving the mower across non-grassed areas, stop the cutterblade and set the mower to the maximum height of cut to protect the cutting mechanism.



LAWN CARE CALENDAR

To be used as a guide only.

January

There is very little work to do this month apart from brushing away leaves. Keep off the grass if frozen or waterlogged.

February

Rake the grass thoroughly. Spike the lawn to aerate and stimulate soil organisms and root growth and apply lawn sand if necessary.

March

The yearly lawn work programme really starts this month. As soon as the ground conditions are suitable, the first cut can be made. The first cut should merely “top” the grass as close cutting at this stage could result in severe yellowing or browning. Two cuts are generally sufficient this month.

April

Mow often enough to stop grass growing away. Dig out patches of coarse grass or resistant weed. Re-seed bare patches.

May

Keep mowing increasing the frequency as required. Treat with selective weed killers or combined weed/feed preparations if you did not feed the lawn in April.

June

Summer mowing should now be under way. It should be necessary to mow the lawn twice a week. Raking before mowing is important this month as the combined action keeps runners of clover under control. Water the grass if necessary, and remember to soak thoroughly.

July

Treat the grass with the second application of fertiliser or weed killer/fertiliser. Water when necessary and rake occasionally. As a general rule the grass clippings should be removed each time you mow. If weather conditions are dry and hot and the grass is weed free, leave the clippings on the lawn to help maintain ground moisture.

LAWN CARE CALENDAR

August

Keep mowing regularly and watering as necessary. Fill any cracks caused by drought with a mixture of sharp sand and soil. In dry weather conditions leave the grass longer to help retain ground moisture.

September

Raise the height of cut to allow the grass to thicken and protect the roots from the winter frost and snow.

October

Rake out the thatch from the turf and spike the lawn to assist in drainage. Brush in peat and sharp sand.

November

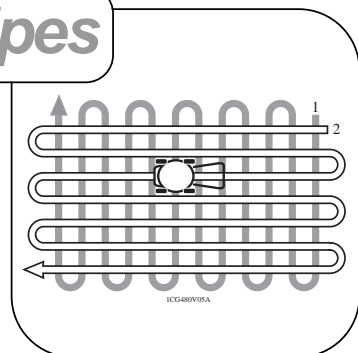
Use a stiff broom to disperse worm casts before mowing. Keep turf free from leaves.

December

Apart from brushing away leaves, December is a slack end of a busy year. Keep off the lawn if it is very wet or frozen.

Lawn Stripes

The way to achieve a neat striped effect is for the lawn being cut in parallel stripes, alternate stripes being mown in opposite directions. A much more important routine is to cut at right angles to the line of the previous mowing. If the work has been carried in a north-south line, then the next cutting should be in an east-west direction. The cross-cutting keeps down the coarse weed grasses.



To prevent grass damage do not remove more than one third of the grass height in one cut.

MAINTENANCE SCHEDULE

Follow the hourly or calendar intervals, whichever occurs first. More frequent service will be required if working for prolonged periods under dusty, dry conditions, or when airborne debris is present or after extensive operation cutting tall, dry grass.

First 5Hrs

- After the very first five hours change the engine oil

Daily

- Check the oil level
- Remove grass debris from around the engine, exhaust/exhaust guard and air ways in the top cowl and underside of the deck housing.
- Remove grass debris from the grassbag and check for signs of damage.
- Check the condition of guards and safety devices.
- Check condition of cutterblade.

25Hrs or Every Season

- Change the engine oil if continuously operating under heavy load or high ambient temperature.
- Service the air cleaner.
- Lubricate wheels, pivot points and linkages and grease the inner control cables at point of entry and exit from their outer casing.
- Check the clutch cable adjustment.
- Sharpen the cutterblade.

50Hrs or Every Season

- Change the engine oil.

100Hrs or Every Season

- Clean the engine cooling system. Clean more often under dusty conditions or when airborne debris is present or after prolonged operation whilst cutting tall, dry grass.
- Replace the spark plug.

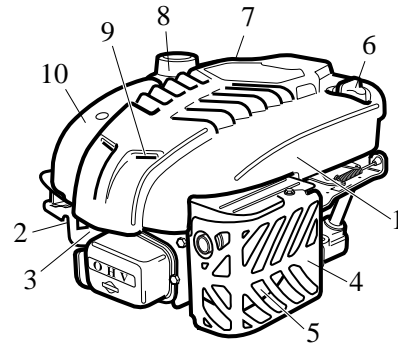
MOWER MAINTENANCE

To prevent accidents stop the engine and disconnect the spark plug lead before attempting to carry out maintenance procedures on the mower.



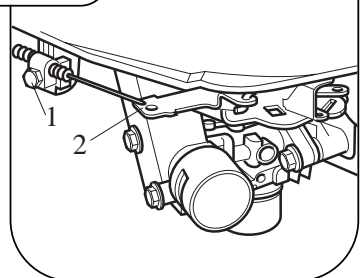
Engine

1. Engine Cowl
2. Spark Plug / Lead
3. Carburetor
4. Exhaust Guard
5. Exhaust
6. Oil fill/Dipstick
7. Start Grip
8. Fuel Cap
9. Finger Guard
10. Air Cleaner



Throttle Cable Adjustment

Loosen casing clamp screw (1) and move the governor lever (2) in the direction of screw (1) as far as possible. Move the throttle control to the choke position. Tighten casing clamp screw.



Carburettor Adjustments

Should only be made by an authorised Briggs & Stratton dealer. Under no circumstances should the engine be adjusted to run at a speed in excess of that shown on the Declaration of Conformity.

MOWER MAINTENANCE

Oil Service

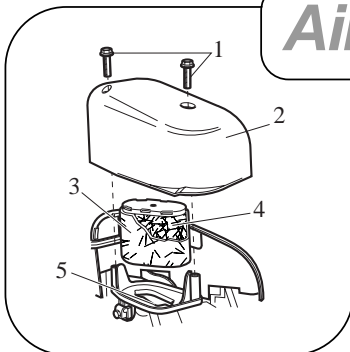


Check the oil level daily before starting the engine and ensure that the correct oil level is maintained. Refer to-‘Before Starting the Mower’ for oil checking and filling instructions.

Change the engine oil after the first 5 hours of operation and thereafter according to the ‘Maintenance Schedule’:-

1. Drain fuel by running the engine until the fuel tank is empty.
2. Remove the spark plug lead.
3. Allow the engine to cool.
4. Drain the oil while the engine is warm (not hot).
5. Tip the mower over on to its **left hand side** thus ensuring that the air cleaner is kept uppermost **to prevent engine damage**.
6. Remove the oil filler dipstick and drain the oil into a suitable container.
7. Refill with new oil of the recommended SAE viscosity grade. (Refer to-‘Before Starting the Mower’)

Air Cleaner Service



Refer to the Maintenance Schedule at the end of this section and ensure that the recommendations are followed. More frequent service is required when operating in adverse conditions.

- Gain access to the pre-cleaner (3) and cartridge (4) by loosening screw (1) and cover (2).

- To service the pre-cleaner, carefully remove and wash in a solution of liquid detergent and water. Allow to air dry thoroughly before replacing.

- Clean the cartridge by tapping gently on a flat surface. If very dirty, replace or wash in a solution of non-foaming detergent and warm water. Rinse thoroughly with running water from the mesh side until the water is clear. Allow the cartridge to stand and air dry thoroughly before replacing. Do not use petroleum solvents during cleaning as this will cause the cartridge to deteriorate. Do not use pressurised air as this may damage the cartridge. Do not oil the cartridge.

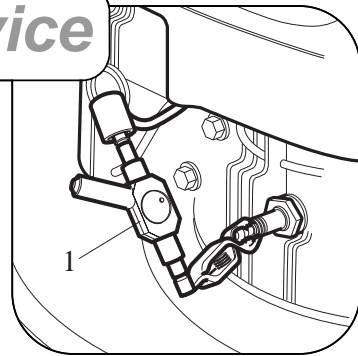
- After servicing, install the pre-cleaner and cartridge in the cover. Insert the tabs on the bottom of the cover into the slots in the bottom of the base (5). Tilt the cover upwards and securely tighten the screw to the base.

MOWER MAINTENANCE

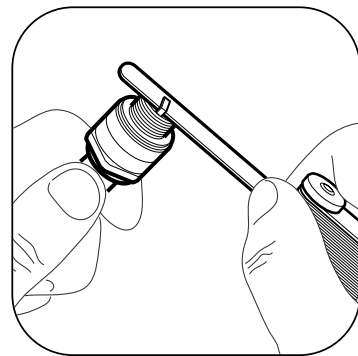
Spark Plug Service

Use only Briggs & Stratton spark tester (1) to check for a spark as shown in the diagram.

Replace the spark plug every 100 hours or every season, whichever occurs first. A spark plug wrench is available from any authorised Briggs & Stratton service dealer.



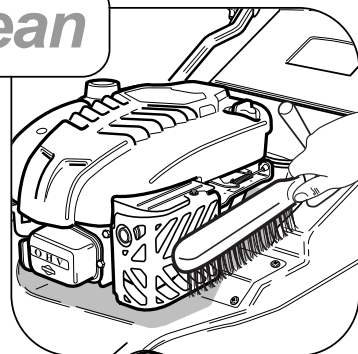
Check the spark plug gap with a feeler gauge and set at 0.76mm.



Keeping Engine Clean

Remove all grass and debris from the engine including the exhaust/exhaust guard, the air ways in the top cowl and the surrounding deck areas on a daily basis after use. Never spray the engine with water during cleaning. Water can contaminate the fuel. Always clean with a brush or compressed air.

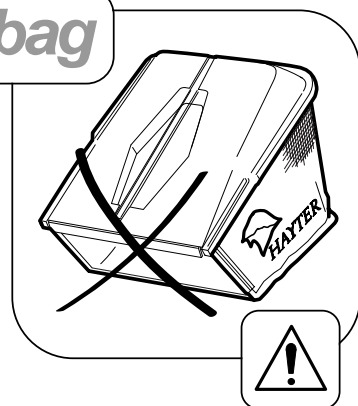
Grass and debris may clog the engine's air cooling system especially after prolonged operation while cutting tall, dry grass. The internal cooling fins and surfaces may require cleaning to prevent overheating and engine damage. We recommended that this service be carried out by an authorised Briggs and Stratton dealer.



Grassbag

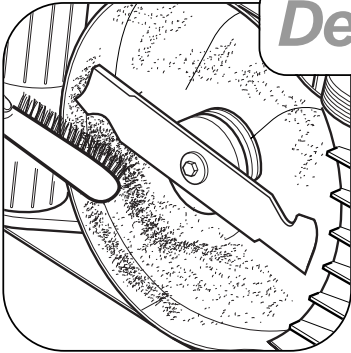
Remove grass debris from the grassbag immediately after use and check its condition for signs of damage.

To prevent accidents replace a damaged grassbag immediately.



MOWER MAINTENANCE

Deck Housing



Remove grass debris from the top and underside of the deck housing immediately after use.

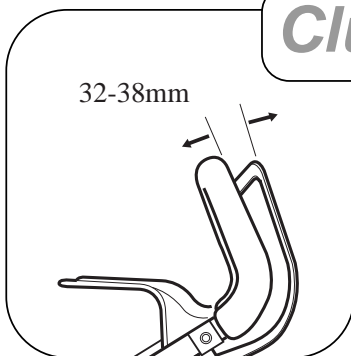
Fertilisers and top dressings are particularly corrosive. Thoroughly clean the mower deck immediately after use on treated grass and store well away from corrosive materials.

Securing Nuts & Bolts

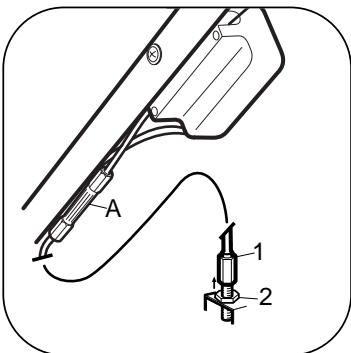


Regularly check that all securing nuts and bolts are tight. Replace missing or damaged items immediately.

Clutch Cable Adjustment



Check the clutch cable operation every 25 operating hours and adjust if necessary. The clutch cable is adjusted correctly when the belt drive just engages with the clutch lever positioned 32-38mm from the handlebar.



Set the plastic adjuster (A) as necessary.

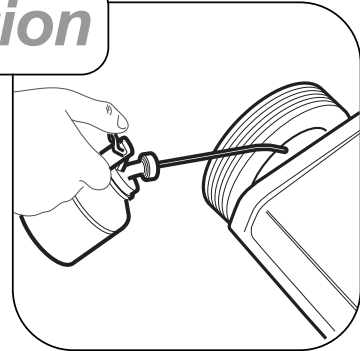
If further adjustment is required, unscrew the lock nuts (1) and screw the adjuster (2) in or out as necessary. Tighten the locknuts (1) when correctly adjusted.

MOWER MAINTENANCE

Lubrication

Lubricate the wheels, pivot points and linkages with engine oil every 25 operating hours.

Apply a good quality medium grease to the inner control cables at the point of entry and exit from their outer casing.



Cutterblade Removal

Drain the fuel by running the engine until the fuel tank is empty and the engine stops. **Remove the spark plug lead** and allow the engine to cool. Turn the mower on its left hand side and ensure that the air cleaner side of the engine is uppermost.

Firmly grip the end of the cutterblade with the gloved hand and remove the two fixing screws and the cutterblade.

To prevent accidents never work on the cutterblade unless the spark plug lead has been removed. The cutterblade has sharp edges. ALWAYS wear strong gloves to protect your hands when working on the cutterblade. DO NOT rotate tools towards the cutting edges to avoid the risk of injury should the tool slip. ALWAYS use genuine Hayter replacement parts.

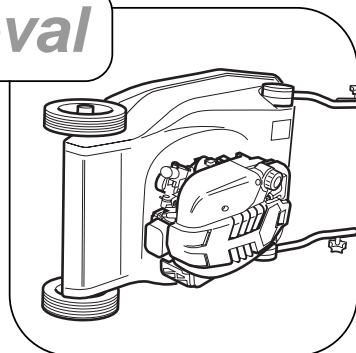
The condition of the cutterblade and its mounting arrangement should be checked regularly for signs of wear or damage. Ensure that the cutterblade is not bent or cracked.

A damaged cutterblade that is out of balance will vibrate excessively and may break. **DO NOT** use an unbalanced cutterblade.

Regularly check that the bolt securing the cutterblade is tightened to the specified torque of 40Nm.

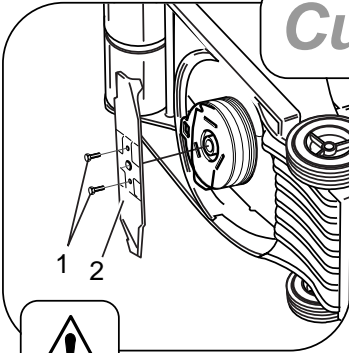
Replace the cutterblade every 2 years or sooner if excessively worn or damaged.

To prevent injury it is wise to seek assistance when turning the mower on its side.



MOWER MAINTENANCE

Cutterblade Assembly

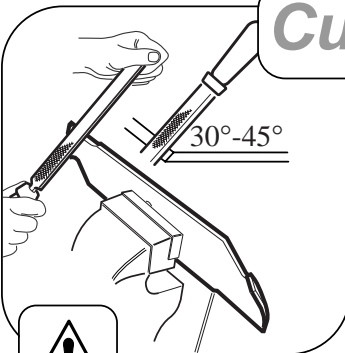


Assemble the cutterblade (2) with the turned up edges facing towards the engine. Secure the cutterblade using two new fixing screws and tighten to a torque of 40Nm.

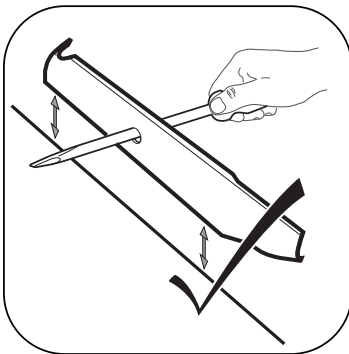
To prevent accidents never reuse the fixing screws.



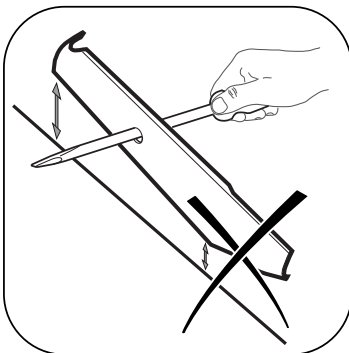
Cutterblade Sharpening



A slightly worn cutterblade may be re-sharpened. Both blade edges must be sharpened equally to ensure balance. Sharpen the cutterblade every 25 mowing hours or more frequently if conditions require. Remove the cutterblade from the mower and clean using a brush and water. Inspect the cutterblade for signs of damage. Sharpen both cutting edges with a flat file to restore performance.



Ensure that the cutterblade is balanced. Use a screw driver with a round shaft to support the cutterblade through its centre hole. Hold the cutterblade horizontal and then release. A balanced cutterblade will remain horizontal.

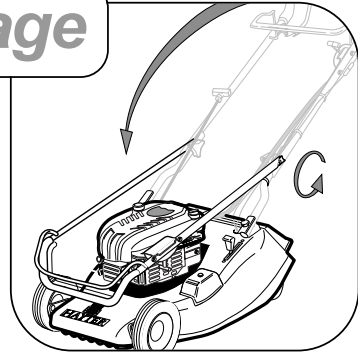


If the cutterblade is not balanced the heavy end will rotate downwards. Sharpen the heavy end until the cutterblade is correctly balanced.

MOWER MAINTENANCE

Storage

To store the handlebar unscrew the 2 small securing knobs sufficiently to allow it to be pivoted forwards to rest against the mower. Take care to ensure that the control cables do not become snagged at the pivot point and depress the engine stop lever to prevent it being damaged through contact with the engine spark plug.



Engines stored in excess of 30 days need to be protected with Briggs & Stratton fuel additive or drained of fuel to prevent gum from forming in the fuel system or on essential carburettor parts. To ensure your mower is maintained in good working order it is important that the following procedure is adopted. Refer to the Maintenance section as necessary.

Drain fuel from the engine by operating the engine until it stops.

Disconnect the spark plug lead.

Change the engine oil.

Remove the engine spark plug and pour 15ml of engine oil into the engine cylinder and replace the spark plug. Do not exceed the stated volume of oil as engine damage may occur on re-starting. **Do not replace the spark plug lead.** Slowly pull the engine start - grip once to crank the engine. This will distribute the oil and help prevent engine corrosion.

Clean grass and debris from the engine cylinder, cylinder head cooling fins, under top cowl, and around and behind exhaust/exhaust guard.

Clean all other areas of the mower and ensure that the grassbag is clean.

Lubricate the mower.

Treat metal parts with a water repellent anti-corrosion product.

Cover the mower with a protective sheet and store it in a dry, ventilated area.

TROUBLE SHOOTING

PROBLEM	POSSIBLE FAULT	REMEDY
Engine will not turn over.	Incorrect oil level.	Check oil level.
Engine smokes.	Excess oil level. Air cleaner cartridge oil soaked or plugged.	Check oil level. Service air cleaner.
Engine runs then stops.	Fuel starvation. Fuel cap vent blocked.	Fill fuel tank. Clean fuel cap vent.
Engine will not start.	Fuel starvation. Incorrect / contaminated fuel. Spark plug lead disconnected. Engine cold. Faulty spark plug.	Fill fuel tank. Drain fuel tank and fill with correct fuel. Connect spark plug lead. Set throttle to choke position. Clean and adjust gap or replace.
Engine runs rough.	Spark plug lead becoming disconnected in use. Faulty spark plug. Air cleaner cartridge blocked. Incorrect / contaminated fuel.	Connect spark plug lead. Clean and adjust gap or replace. Replace air cleaner cartridge. Drain fuel tank and fill with correct fuel.
Cutterblade drive will not engage / disengage.	Faulty blade brake clutch.	Consult your dealer.

TROUBLE SHOOTING

PROBLEM	POSSIBLE FAULT	REMEDY
Engine vibrates excessively.	<p>Mounting bolts loose.</p> <p>Cutterblade screws loose.</p> <p>Cutterblade out of balance.</p> <p>Bent crankshaft.</p>	<p>Tighten bolts.</p> <p>Tighten screws.</p> <p>Balance cutterblade.</p> <p>Consult your dealer.</p>
Uneven cut.	<p>Undulating ground contours.</p> <p>Cutterblade worn.</p> <p>Cutterblade out of balance.</p> <p>Wheels / Roller damaged.</p>	<p>Change direction of travel.</p> <p>Sharpen the cutterblade.</p> <p>Balance cutterblade.</p> <p>Inspect and replace as necessary.</p>
Discharge chute blocks.	<p>Grass is wet.</p> <p>Cut height too low.</p> <p>Grassbag full.</p> <p>Slow engine speed.</p> <p>Airflow through the grassbag is restricted.</p>	<p>Mow dry grass.</p> <p>Increase cut height.</p> <p>Empty grassbag.</p> <p>Increase engine speed.</p> <p>Clean the grassbag.</p>
Mower is hard to push.	<p>Cut height too low.</p> <p>Wheels / Roller damaged.</p>	<p>Increase cut height.</p> <p>Inspect and lubricate or replace</p>
Mower will not self propel.	<p>Clutch out of adjustment.</p> <p>Drive belt damaged.</p>	<p>Adjust ground drive clutch cable.</p> <p>Replace drive belt.</p>
Poor grass collection.	<p>Airflow through the grassbag is restricted.</p> <p>Discharge chute blocked.</p> <p>Slow engine speed.</p> <p>Wet grass.</p> <p>Grassbag full.</p>	<p>Clean the grassbag.</p> <p>Remove blockage.</p> <p>Increase engine speed.</p> <p>Mow dry grass.</p> <p>Empty grassbag.</p>

DECLARATION OF CONFORMITY

EC DECLARATION OF CONFORMITY

HAYTER LIMITED,
Spellbrook, Bishop's Stortford, Herts CM23 4BU ENGLAND



declare that the lawnmower:

Models:	Harrier 56
Machine Type No.	CODE 343A
Category:	Blade Brake Clutch - Auto Drive
Type:	Pedestrian Rotary
Engine manufacturer:	Briggs & Stratton
Speed of rotation:	2900 rpm
Width of cutting device:	560mm
Speed of rotation of the cutting device:	2900 rpm

Complies with the provisions of Directive: 98/37/EC Essential Health & Safety Requirements Relating to the Design & Construction of Machinery and Safety Components.

Also Directive 89/336/EEC amended by 92/31/EEC Electromagnetic Compatibility.

Also Directive 2000/14/EC Noise emission in the environment by equipment for use outdoors. (ANNEX VI)

Notified Body: Sound Research Laboratories Ltd. Holbrook House, Little Waldingfield,
Sudbury, Suffolk, ENGLAND
Notified body identification No: 1088

Measured sound power level:	99.0 dB(A)
Guaranteed sound power level:	100 dB(A)

Standards Used: EN2921, EN836 and ENISO14982

Signed

M.A. Wright
(Technical Director)

Date: 30.10.01
HAYTER LIMITED,
Spellbrook, Bishop's Stortford,
Herts CM23 4BU ENGLAND

VIBRATION INFORMATION

Lawnmower vibration information. RMS acceleration measured in 3 - axes at operators contact position on the handlebars. **CODE 343A = 11.0 ms⁻².**

PARTS LIST

ITEM NO.	DESCRIPTION	PART NO.	QTY	ITEM NOTE
1	Belt	340049	1	
2	5/8" Circlip	1428	1	
3	M6 x 25 Coach Bolt	09735	1	
4	3/16" Washer	09257	4	
5	Spring	5421	2	
6	Cutterblade	343034	1	
7	5/8" Plain Washer	09286	1	
8	5/16" Spring Clip	04020	1	
9	Bush	4452	1	
10	M6 x 12 Csk. Pozi Taptite Screw	09545	4	
11	Wheel	5218	2	
12	Hub Cap	219143	2	
13	M6 Nut - Nylon Insert 'T' Type	09438	3	
14	M6 x 20 Hex. Washer Hd. Taptite Screw	09575	2	
15	1/2" Plain Washer	02575	1	
16	Support Plate Assy	343012W	1	
17	5/16" Plain Washer	09266	1	
18	1/2" Plain Washer	09280	2	
19	M6 Plain Washer	09472	8	
20	Handlebar Clamp	340028	2	
21	3/4" Circlip	02708	2	
22	1/2" Circlip	03096	1	
23	3/16" x 3/4" Roll Pin	03997	4	
24	3/8" UNC x 2" Taptite Screw	09591	3	
25	Spacer	321034	3	
26	1/2" UNF Nylon Insert Nut	4486	2	
27	5/16" Starloc Washer	0201086	2	
28	Height Adjuster Knob	330053	1	
29	Spring	343011	1	
30	Pulley	219111	1	
31	Spring	1246	1	
32	Screw Taptite M6 x 35 Pozi	09780	1	
33	M6 x 16 Hex. Washer Hd. Taptite Screw	09365	18	
34	Frame Rear Roller	340044	1	
35	M8 x 40 Coach Bolt	09379	2	
36	M6 x 12 Washer Hd. Taptite Screw	09546	2	
37	M8 Nut Nylon Insert 'T' Type	09441	2	
38	Rivet	09320	4	
39	M6 x 20 Coach Bolt	09668	1	
40	M6 x 30 Hex. Hd. Bolt	09547	1	
41	Nut Cap Plastic M6	343025	2	

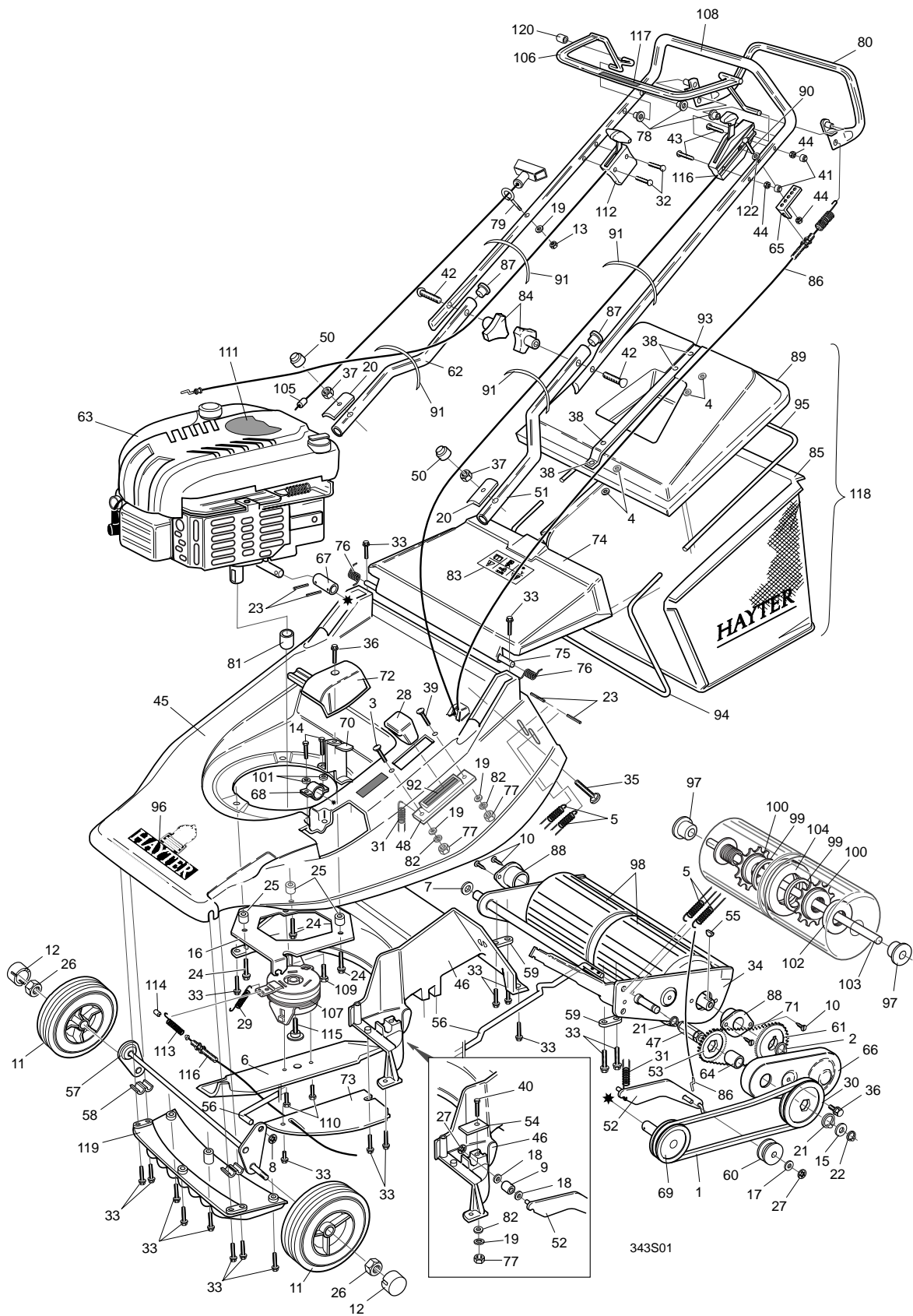
PARTS LIST

ITEM NO.	DESCRIPTION	PART NO.	QTY	ITEM NOTE
42	M8 x 45 Coach Bolt	226024	2	
43	Screw Pan Hd M6 x 55	09384	2	
44	Nut M4 Nylon Insert	09657	3	
45	Mainframe Assembly	340205V	1	
46	Throwplate	340011	1	
47	Idler Sprocket Sleeve Assembly	219095	1	
48	Ratchet Plate	340102	1	
49	Cable Clip	219097	1	
50	Nut Cap	234051	2	
51	Lower Handlebar - Nearside	340103	1	
52	Jockey Lever	219023	1	
53	Sprocket - 10 Teeth	219106	1	
54	Securing Plate	219028	1	
55	Woodruff Key	5321	1	
56	Connecting Rod	340014	1	
57	Front Axle Assembly	340020	1	
58	Bearing Moulding	219036	2	
59	Securing Plate	219037	2	
60	Jockey Pulley	219156	1	
61	Sprocket - 17 Teeth	219051	1	
62	Lower Handlebar - Offside	340104	1	
63	Engine	343045	1	
64	Spacer	219053	1	
65	Clutch Cable Bracket Stop	306108	1	
66	Transmission Cover	219055	1	
67	Coupling	340109	1	
68	Bearing Housing Moulding	219060	1	
69	Pulley Assembly	340105	1	
70	Belt Guide Bracket	219064	1	
71	Chain	219054	1	
72	Transmission Cover	340050	1	
73	Underguard	343015	1	
74	Rear Deflector	340022	1	
75	Pivot Rod	340024	1	
76	Deflector Spring	340052	2	
77	M6 Plain Nut	09437	3	
78	Bush Lever	226034	3	
79	Rope Guide	305093	1	
80	Clutch Lever	219090	1	
81	Spacer BBC	485006	1	
82	M6 Spring Washer	09474	3	

PARTS LIST

ITEM NO.	DESCRIPTION	PART NO.	QTY	ITEM NOTE
83	Decal - Caution	219189	1	
84	Handwheel	226013	2	
85	Grassbag Fabric	340071	1	
86	Clutch Cable	340056	1	
87	Tube Plug	300160	2	
88	Roller Bearing Housing	219102	2	
89	Grassbag Cover	340072	1	
90	Screw M4 x 35	09704	1	
91	Cable Tie	3966	4	
92	Brush Seal	340082	1	
93	Grassbag Handle	340073	1	
94	Grassbag Frame Assembly	340075	1	
95	'U' Tube	340078	1	
96	Decal - Hayter & Royal Warrant	219186	1	
97	Oilite Bush - Roller	340129	2	
98	Roller Assembly	340139	2	
99	Spacer - Nylon	340149	2	
100	Roller Free Wheel	340150	2	
101	Bush	340154	2	
102	Locknut	340163	1	
103	Roller Shaft	340162	1	
104	Shroud Freewheel	340168	1	
105	Rope Stop	MU42189	1	
106	Blade Stop Lever	319006W	1	
107	Blade Brake Clutch	485007	1	
108	Upper Handlebar	341029W	1	
109	Screw Soc Shld M10 x 12 x 30	ZIS8L030S	1	
110	Screw - Soc. Hd. Button	09747	2	
111	Decal - Engine	340224	1	
112	Throttle Control & Cable	343047	1	
113	Compensating Spring	319018	1	
114	Nipple Split	510118	1	
115	Centre Bolt BBC	343029	1	
116	Control BBC Assy	343030	1	
117	Decal - Operation	343019	1	
118	Grassbag Assembly	340070	1	(Includes Items 4, 38, 85, 89, 93, 94 & 95)
119	Front Fin Insert	340190	1	
120	Ferrule Plastic	305115	1	
121	Cable Clip	287034	1	(not illustrated)
122	Washer	09658	1	
123	M6 Nut Nycon Insert	09438	1	

PARTS LIST



CUSTOMER INFORMATION /NOTES

Mower Serial No:.....

Engine Model:..... Type:..... Code:.....

Notes:

We hope you find the links below useful. For further gardening information visit
[Gardening Tools Direct](#)



Blower Vacs	Brush cutters	Brushcutters	Chainsaws	Chain saws
Cultivators	Cylinder lawn mowers	Cylinder mowers	Echo chainsaws	Echo Strimmers
Electric chainsaws	Fertiliser spreaders	Garden blowers	Garden rollers	Garden shredders
Garden tractors	Garden vacuums	Hayter lawn mowers	Hedge cutters	Hedgecutters
Hover mowers	Husqvarna chainsaws	Kawasaki brush cutters	Kawasaki strimmers	Lawn mowers
Lawn scarifiers	Lawn tractors	Leaf blowers	Leaf vacuums	Petrol chainsaws
Petrol hedge cutters	Ride on lawn mowers	Ride on mowers	Rotary mowers	Rotavators
Ryobi strimmers	Scarifiers	Strimmers	Westwood lawn tractors	Westwood ride on mowers
		Westwood tractors		