

Harrier
48 Pro

CODE 486A

OWNER'S HANDBOOK

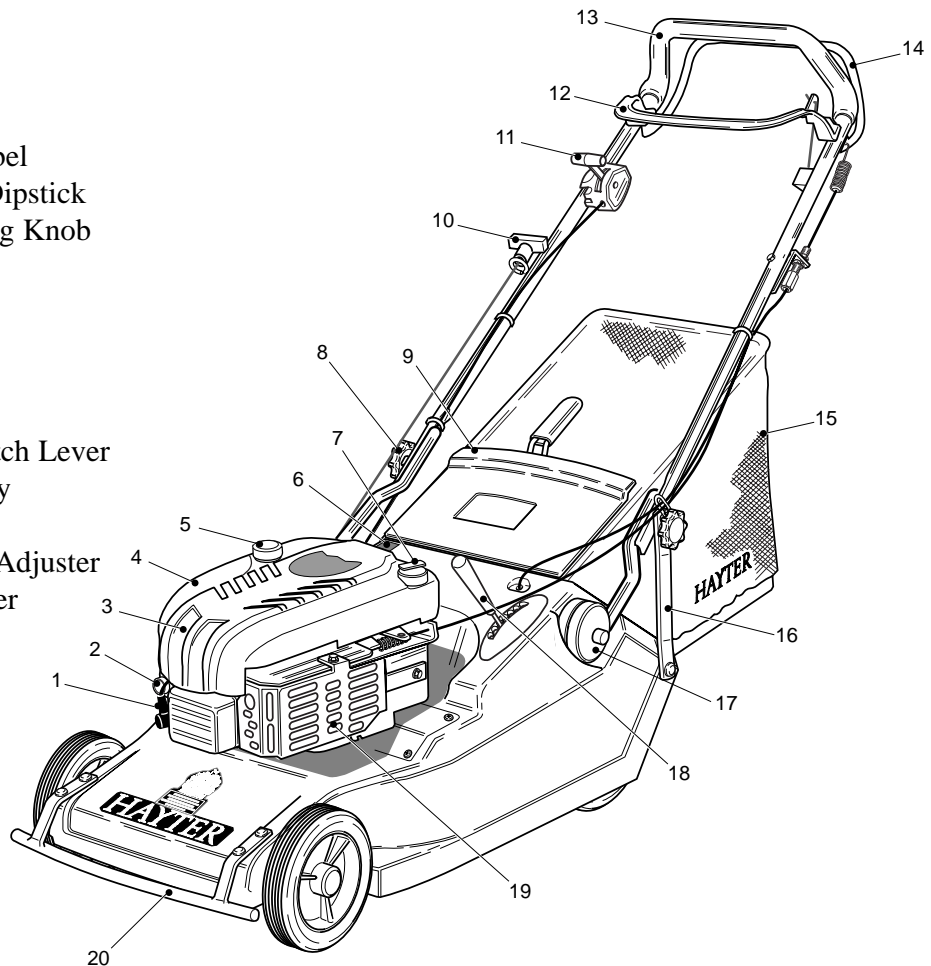
(English Version)
FROM SERIAL NO: 486A001001
Issue :14.05.02

HANDBOOK: 486041 (Rev.1.)

MAIN FEATURES / SPECIFICATIONS

Main Features

1. Spark Plug Lead
2. Primer Bulb
3. Engine Cover
4. Air Cleaner
5. Fuel Cap
6. Serial Number Label
7. Oil Filler Cap & Dipstick
8. Handlebar Securing Knob
9. Rear Deflector
10. Engine Start Grip
11. Throttle Control
12. Engine Stop Lever
13. Handlebar
14. Ground Drive Clutch Lever
15. Grassbag Assembly
16. Support Brace
17. Handlebar Height Adjuster
18. Height of Cut Lever
19. Exhaust Guard
20. Front Rail



Specifications

MODEL

Engine

Engine Type

Engine / Cutterblade Speed

Fuel Type

Fuel Capacity

Oil Type

Oil Sump Capacity

Spark Plug

Spark Plug Gap

Width of Cut

Height of Cut

Overall Dimensions

Dry Weight

CODE 486A

Briggs & Stratton Intek Edge 55

111682-0165-E1

2800 rpm

Unleaded Petrol

1.5 litres

SAE 30 engine oil

0.6 litres

491055 (Briggs & Stratton)

0.76mm

480mm

12 - 65mm

1044 x 514 x 1377mm

49 Kg

CONTENTS

- 1.2 Main Features/Specifications**
- 1.3 Contents**
- 1.4 Introduction**
- 1.5 Warranty**
- 1.6 - 1.9 Safety Precautions**
 - 1.9 Safety Symbols**
 - 1.9 Decal Symbols**
 - 1.10 Assembling the Mower**
 - 1.10 - *Delivery Checklist*
 - 1.10 - *Handlebar*
 - 1.10 - *Adjust Handlebar Height*
 - 1.10 - *Grassbag Attachment*
 - 1.11 Before Starting the Mower**
 - 1.11 - *Prevent Engine Damage*
 - 1.11 - *Oil Type*
 - 1.11 - *Check Oil Level*
 - 1.11 - *Fuel Type*
- 1.12 - 1.15 Operating The Mower**
 - 1.12 - *Controls*
 - 1.12 - *Starting Step 1*
 - 1.12 - *Step 2*
 - 1.12 - *Step 3*
 - 1.13 - *Forward Travel*
 - 1.13 - *Turning*
 - 1.13 - *Stopping*
 - 1.13 - *Slopes*
 - 1.14 - *Height of Cut*
 - 1.14 - *Before Mowing*
 - 1.14 - *Grassbag*
 - 1.14 - *Without Grass Collection*
 - 1.15 - *Heavy Growth*
 - 1.15 - *Friction Disc*
 - 1.15 - *Non-Grassed Areas*
- 1.16 Maintenance Schedule**
- 1.17 - 1.23 Mower Maintenance**
 - 1.17 - *Engine*
 - 1.17 - *Throttle Cable Adjustment*
 - 1.17 - *Carburettor Adjustments*
 - 1.18 - *Oil Service*
 - 1.18 - *Air Cleaner Service*
 - 1.19 - *Spark Plug Service*
 - 1.19 - *Keeping Engine Clean*
 - 1.19 - *Grassbag*
 - 1.20 - *Deck Housing*
 - 1.20 - *Securing Nuts and Bolts*
 - 1.20 - *Clutch Cable Adjustment*
 - 1.21 - *Lubrication*
 - 1.21 - *Cutterblade Removal*
 - 1.22 - *Cutterblade Assembly*
 - 1.22 - *Cutterblade Sharpening*
 - 1.23 - *Storage*
- 1.24 - 1.25 Trouble Shooting**
- 1.26 Declaration of Conformity**
- 1.27 - 1.28 Parts List**
- 1.30 Parts list Diagram**
- 1.31 Customer Info/Notes**

INTRODUCTION

Thank you for purchasing a **Hayter** mower. The following pages are designed to help you gain safe and efficient service from your mower.

IMPORTANT: This 'Owners Handbook' should be regarded as part of the mower as it gives essential information regarding mower safety, operation, maintenance and specifications. Read and understand this handbook prior to operating your mower for the first time. Make sure you are familiar with all the controls and points of regular maintenance. If you have any doubts, consult your local **Hayter** authorised dealer who will be pleased to give you assistance.

IMPORTANT: This mower is designed solely for use in a domestic grass cutting environment. Use in any other way is considered as contrary to the intended use. Compliance with and strict adherence to the conditions of operation, service and repair as specified in this handbook also constitute essential elements of the intended use.

This mower should be operated, serviced and repaired only by persons who are familiar with its particular characteristics and who are acquainted with the relevant safety procedures.

The safety precautions listed in this handbook and all other generally recognised regulations on safety must be observed at all times.

Any arbitrary modifications carried out to this machine may relieve Hayter Limited of liability for any resulting damage or injury.

Hayter mowers are robustly constructed and designed for efficient economical performance under normal mowing conditions. Correct operation and maintenance will ensure a long and satisfactory service life. Prior to despatch from our factory every effort is made to ensure that your mower is delivered in perfect condition.

Throughout this handbook all references to **left** and **right** are as viewed from behind the handlebar, in the direction of forward travel.

This handbook is based on information available at the time of publication.

HAYTER LIMITED reserve the right to amend product specifications without prior notification.

LIMITED WARRANTY

Hayter Limited warrants to the original user/purchaser that this unit shall be free from defects in material and workmanship under normal use and service for a period of **one year** from the date of purchase. This one year Warranty is extended to a two year Warranty for aluminum decks only. The manufacturers of the engine furnish their own warranty and services are provided through their authorised network (Refer to "Engine Warranty Statement"). To qualify for the full benefit of the warranty, the warranty registration card must be returned within 60 days of purchase. Subject to the conditions and exclusions noted in this limited warranty, we shall at our option, repair or replace any warranted part during the applicable period. If you are in doubt or experience any difficulty, please consult a Hayter Authorised Service Dealer for clarification.

A 90 day warranty period applies to those items which are subject to normal wear and tear e.g. wheels, cutterbars, cables, grassbags and other consumable wearing parts.

All machines which are fitted with a **genuine** Hayter friction disc or crankshaft support bearing as original equipment before use, are covered by a **Lifetime Warranty** against the engine crankshaft bending. **Note:** friction washers, blade brake units and other such devices are not applicable. Only machines fitted with a **genuine** Hayter friction disc or crankshaft support bearing, which are used in accordance with the recommended operating and maintenance procedures, are covered.

This warranty does not apply to any unit that has been tampered with, altered, misused, abused or used for hire, and will become invalid if non genuine Hayter parts are fitted. This warranty does not cover for minor mechanical adjustments unless they are due to defective material or workmanship. Consult the Owner's Handbook or a Hayter Authorised Service Dealer for assistance when making these adjustments.

To make a warranty claim, return the unit to a Hayter Authorised Service Dealer along with proof of purchase stating the machine serial number and date of purchase. Subject to the conditions and exclusions in this limited warranty, the authorised dealer will, at our option, repair or replace any warranted part within the duration of the warranty period.

This limited warranty gives you specific legal rights and is in addition to any statutory rights to which you may be entitled and your statutory rights are not affected by this warranty. If you need additional information concerning this written warranty, or assistance in obtaining services, please write to : **HAYTER LIMITED, Service Department, Spellbrook, Bishop's Stortford, Hertfordshire CM23 4BU**

UK ONLY: Details of your local **Hayter** authorised dealer are contained in Yellow Pages or contact:- Freephone 0800 616298.

SAFETY PRECAUTIONS

Safety Alert Symbol



This safety alert symbol indicates important safety messages. When you see this symbol be alert to the possibility of injury. Carefully read the following and inform others.

Your mower is perfectly safe if used correctly. Failure to observe the following precautions may result in serious injury.

Training



Before using the mower read the owners handbook carefully. Pay particular attention to the safety precautions. Ensure that you are familiar with the controls and the proper use of the equipment. Learn how to stop the mower quickly in an emergency.

Never allow children or people unfamiliar with these instructions to use the mower.

Never mow while people, especially children, or pets are nearby.

Keep in mind that the user is responsible for accidents or hazards occurring to other people or their property.

Preparation



While mowing, always wear substantial footwear and long trousers. Do not operate the equipment when barefoot or wearing sandals.

Thoroughly inspect the area where the mower is to be used and remove all objects which may be thrown by the machine.

WARNING: Petrol is highly flammable.

- Store fuel in containers specifically designed for this purpose.
- Add fuel before starting the engine. Never remove the cap from the fuel tank or add petrol while the engine is running or when the engine is hot. Allow the engine to cool for at least two minutes before refuelling.
- Do not attempt to start the engine if petrol is spilled or a smell of petrol is present. Move the mower away from the area of spillage and avoid creating any source of ignition until petrol vapours have dissipated.

SAFETY PRECAUTIONS

Preparation

- Always use fresh fuel. Stale fuel can block the carburettor and cause leakage.
- Replace fuel tank and oil tank caps securely.

A damaged cutterblade or loose fixing bolt are major hazards. Before use, always visually inspect the cutting mechanism to ensure that it is in good condition. A damaged cutterblade must be replaced immediately with a genuine Hayter replacement part



Operation

Do not operate the engine in a confined space where exhaust fumes (carbon monoxide) can collect. Refuel outdoors only and do not smoke while refuelling.

Always pull the starter cord slowly until resistance is felt. Then pull the cord rapidly to avoid kickback and prevent hand or arm injury.

Mow only in daylight or good artificial light.

Avoid using the mower on wet grass, where feasible.

Always be sure of your footing on slopes.

Walk, never run.

Mow across the face of slopes, never up and down.

Exercise extreme caution when changing direction on slopes.

Do not mow excessively steep slopes of more than 20 degrees.

Use extreme caution when reversing or pulling the mower towards you.

Stop the engine before moving the mower across areas other than grass.

Never operate the mower unless the guards are securely in position and in good condition.

Do not change the engine governor settings or overspeed the engine.

Disengage the rear roller drive clutch before starting the engine.

Start the engine carefully, with feet well away from the cutterblade.



SAFETY PRECAUTIONS

Operation



Do not tilt the mower when starting the engine.

Do not put hands or feet near or under rotating parts.

Never pick up or carry the mower while the engine is running.

Never lift the rear deflector while the engine is running.

Never touch the exhaust/exhaust guard or cooling fins when the engine is hot.

Stop the engine and disconnect the spark plug lead:

- Before clearing blockages or unclogging the discharge chute.
- Before cleaning/checking or working on the mower.
- After striking a foreign object. Inspect the mower for damage and ensure necessary repairs are made before re-starting.
- If the mower starts to vibrate abnormally (check immediately).

Stop the engine:

- Whenever you leave the mower.
- Before refuelling.

Maintenance & Storage



Keep all nuts, bolts and screws tight to ensure that the equipment is in safe operating condition.

Frequently check fuel lines and fittings for cracks or leaks and replace if necessary.

Never check for a spark when the spark plug is removed. (Use approved tester)

Inspect the exhaust periodically and replace if worn or leaking.

Never crank the engine with the spark plug removed.

Never start the engine with the air-cleaner or air-cleaner cover removed.

Never store the mower with petrol in the tank within an enclosed area where fumes may reach an open flame or spark.

SAFETY PRECAUTIONS

Maintenance & Storage

Allow the engine to cool before storing in any enclosure. To reduce the fire hazard, keep the engine and the surrounding deck area free of grass, leaves, or excessive grease.

Check the rear deflector and grassbag frequently for wear or deterioration. Replace worn or damaged parts for safety.

If the fuel tank has to be drained, this should be done outdoors and when the engine is cool.

Wear strong work gloves when removing and reassembling the cut-terblade.

Always replace worn or faulty parts with genuine Hayter parts.

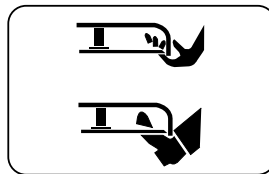


Safety Symbols

Safety Alert - Be aware to the possibility of injury.



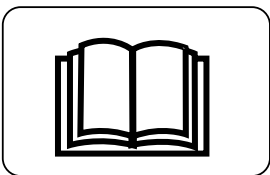
Danger of severing toes or fingers in cutting mechanism.



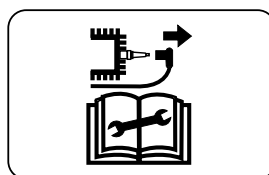
Danger of being hit by thrown objects.



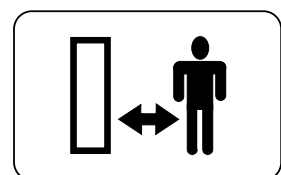
Carefully read the Owners Handbook before using the machine.



Stop engine and remove spark plug lead before working on the mower.

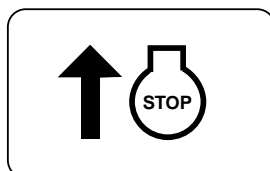


Keep bystanders at a safe distance from the mower.

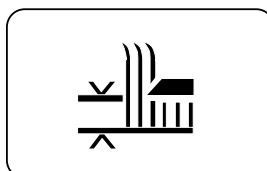


Decal Symbols

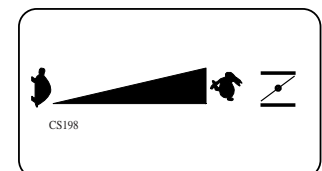
Engine Stop (Symbol)



Height of Cut Adjustment (Symbol)

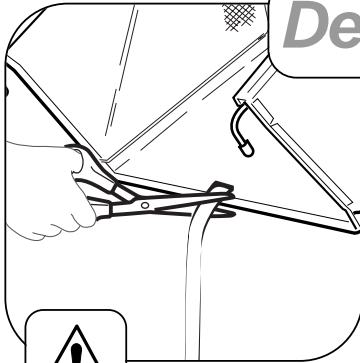


Throttle Control (Symbols)



ASSEMBLING THE MOWER

Delivery Checklist

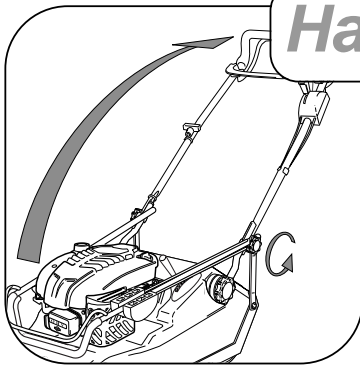


Remove the mower from the packaging and check that the following items have been supplied correctly. If any items are missing contact your local Hayter dealer.

1. Engine Handbook.
2. Warranty Reg. Card.
3. Grassbag.

To prevent accidents cut off the long ribbon attached to the grassbag and discard.

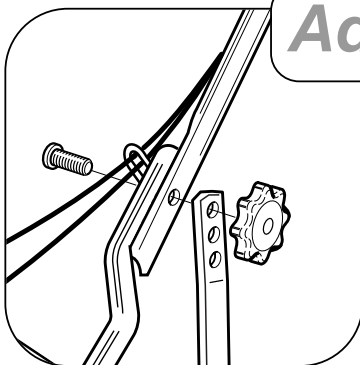
Handlebar



Unscrew the handlebar securing knobs sufficiently to allow the handlebar to pivot. Move the engine stop lever away from the engine to avoid damage and unfold the handlebar to the operating position. Tighten both handlebar knobs to secure the handlebar in position.

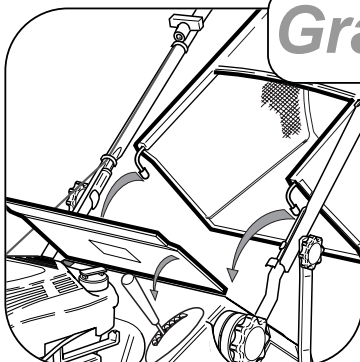
Take care to ensure that the control cables do not become snagged at the pivot point.

Adjust Handlebar Height



Unscrew the two handlebar securing Knobs to release the handlebar brace then loosen the two nyloc nuts at the base of the handlebar sufficiently to allow it to be moved to the upper, middle or lower position. Re-attach the handlebar brace in relevant hole for best position and comfort. Ensure that both sides are set to the same height. Tighten both the nyloc nuts and knobs to secure the handlebar in place.

Grassbag Attachment

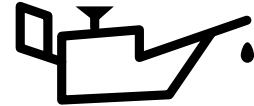


Raise the rear deflector, lower the grassbag through the handlebar and hook in position. Lower the deflector to rest on the grassbag

BEFORE STARTING THE MOWER

Prevent Engine Damage

To prevent engine damage the engine is shipped without oil or petrol. The engine must be filled with the correct grade of oil and petrol before starting the engine.



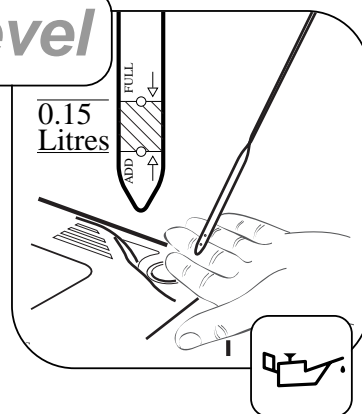
Oil Type

Always use high quality detergent oil classified “For service SE, SF, SG” SAE 30 oil. Never use additives with recommended oils. SAE 10W-30 multigrade oil may be used, but this will result in higher engine operating temperatures with consequential high oil consumption. It is imperative that the oil level is checked more frequently if this grade of oil is used in order to guard against serious engine damage. To prolong the life of your engine it is important that the oil is changed after the first 5 hours of use - refer to ‘Maintenance Schedule’.



Check Oil Level

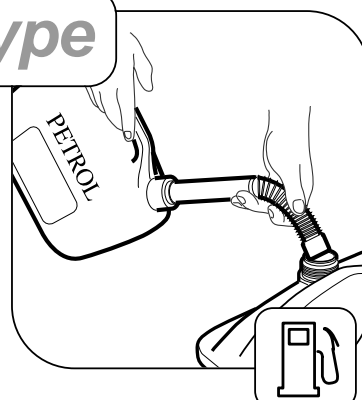
Clean around the oil filler cap before removing. With the mower on a level surface, unscrew and remove the oil filler - dipstick. Wipe oil from it with a clean cloth. Screw the oil filler - dipstick back in place, then unscrew and remove it to check the oil level.



The oil level is correct when it is at the **full** mark on the dipstick.
DO NOT OVERFILL.

Fuel Type

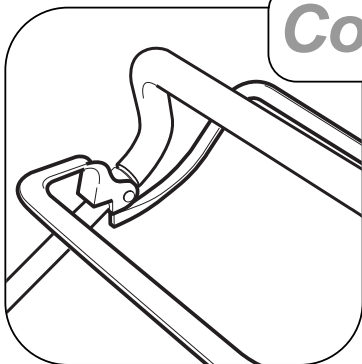
Always use clean, fresh unleaded petrol. Purchase fuel in quantities that can be used within 30 days. Never mix oil with petrol. For added engine protection Briggs & Stratton recommend the use of their fuel additive which is available from an authorised Briggs & Stratton service dealer.



Fill to base of neck to allow for fuel expansion. Do not overfill the fuel tank.

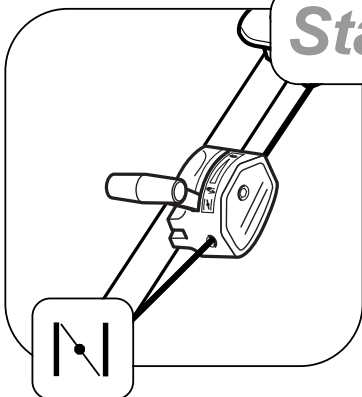
OPERATING THE MOWER

Controls



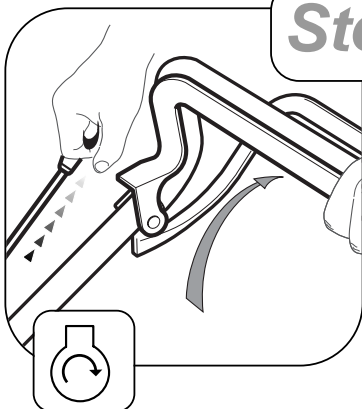
Operate all control levers several times and ensure that the cables move freely. Check that the engine stop and ground drive clutch levers return freely to their rest position when released. Whilst operating the engine throttle mechanism slight resistance should be felt when moving the lever to the 'choke' position.

Starting - Step 1



Move the throttle control lever to the 'choke' position before starting a cold engine. Move the throttle control lever to the 'fast' position before starting a warm engine.

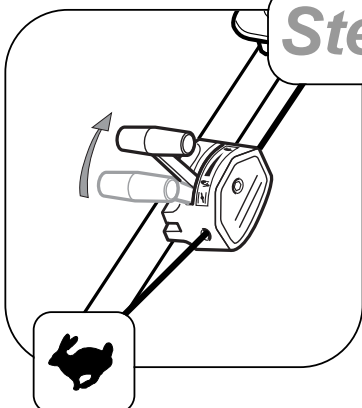
Step 2



Stand behind the mower and hold the handlebar together with the engine stop lever with your left hand. With your right hand hold the engine start - grip and pull slowly until resistance is felt, then pull rapidly to crank the engine. Carefully return the start grip to the storage position when the engine starts. If the engine does not start after 5 attempts - refer to "Trouble Shooting".

The engine stop lever must be held firmly against the handlebar to start and keep the engine running. If the engine stop lever is released the engine will stop.

Step 3



Allow the engine to warm up and move the throttle lever to the 'fast' position after starting a cold engine.

To prevent damage never pull the engine start grip when the engine is running.

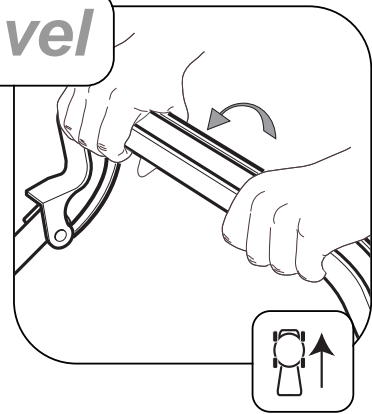
OPERATING THE MOWER

Forward Travel

Hold the handlebar and operate the ground drive clutch lever to power the mower in a forward direction.

When the ground drive clutch lever is disengaged the mower may be pushed. This feature is useful when mowing in confined areas.

If the engine stop lever is released the engine will stop.



Turning

To make a wide turn steer the mower with the handlebar in the direction required.

To make a tight turn release the ground drive clutch lever, apply downward pressure on the handlebar to raise the front wheels just above ground level and steer in the required direction.

To prevent accidents do not raise the front of the mower excessively when making a turn. Never raise the rear of the mower when the engine is running.

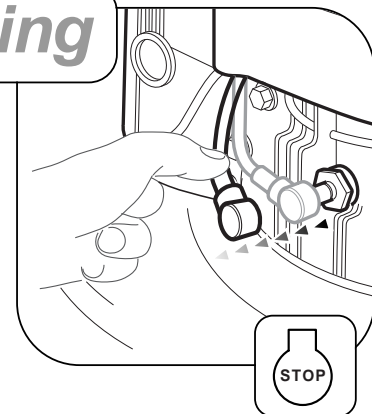


Stopping

Release the ground drive clutch lever, reduce the throttle setting and release the engine stop lever.

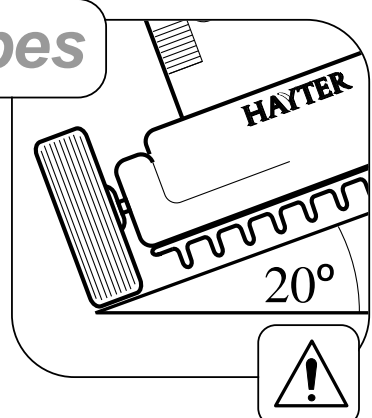
Emergency stop: Release both ground drive clutch lever and engine stop lever together.

If the engine fails to stop, move the throttle lever to the 'slow' position and disconnect the spark plug lead.



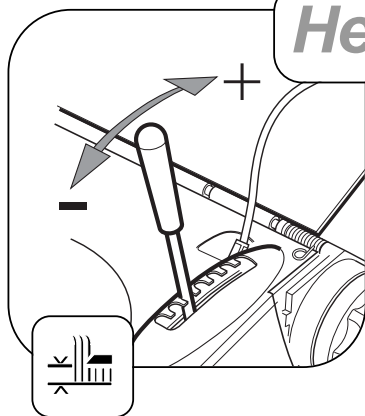
Slopes

To prevent engine damage do not use the mower on slopes greater than 20 degrees.



OPERATING THE MOWER

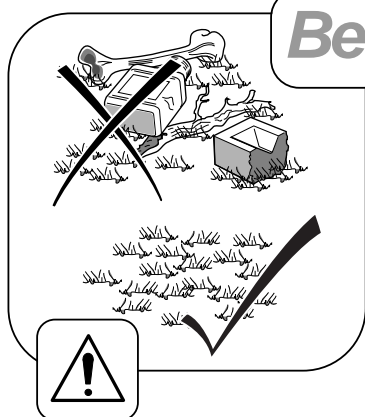
Height of Cut



Move the height of cut lever sideways to disengage it from the locking notch, then push forwards to lower or pull backwards to raise the height of cut. Release the lever in the required position and ensure that it locks firmly into one of the seven notch settings.

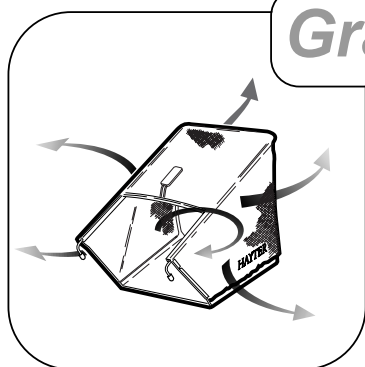
Always select a height of cut to suit operating conditions. Prevent engine overloading and blockages by avoiding low cuts in long grass conditions. Be prepared to make two cuts when the grass is long.

Before Mowing



To prevent accidents thoroughly inspect the area and remove all objects which when contacted by the mower cutterblade could become dangerous projectiles. Inspect the area for hidden obstructions which when contacted by the cutterblade could risk health and safety. Remember the location of these obstructions and ensure that you mow around them.

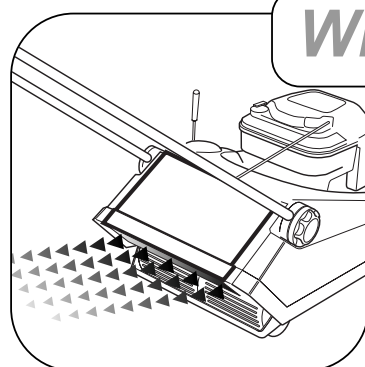
Grassbag



Raise the rear deflector and lift the grassbag through the handlebar and lower the rear deflector to rest against the rear of the mower.

To empty the grassbag, pour out the grass clippings and shake the grassbag vigorously to clean the airways. Good grass collection depends on good air flow through the grassbag. When collecting grass clippings it is important that the grassbag is emptied regularly to prevent blockages and engine overloading.

Without Grass Collection

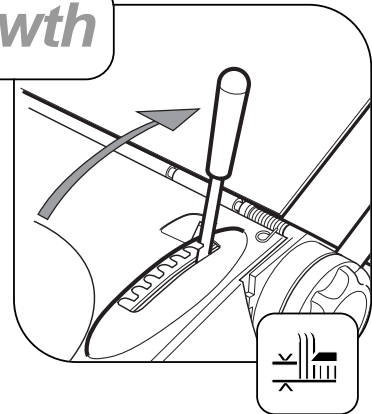


Remove the grassbag and operate the mower with the rear deflector in the closed position.

OPERATING THE MOWER

Heavy Growth

Areas of heavy growth should be mown without collecting the clippings. If collection is required, first mow the area without the grassbag at the maximum height of cut setting. Allow the grass clippings to dry out and then mow the area at the maximum height of cut setting with the grassbag fitted. Reduce the height of cut and mow the area again as necessary until the required finish is obtained.

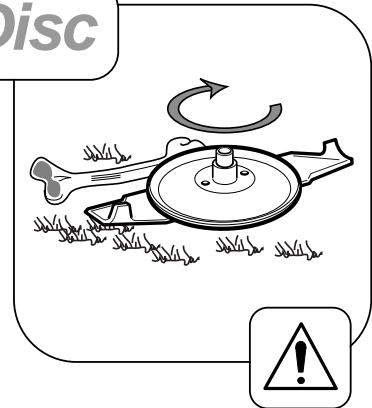


To prevent grass damage do not remove more than one third of grass height in one cut.

Friction Disc

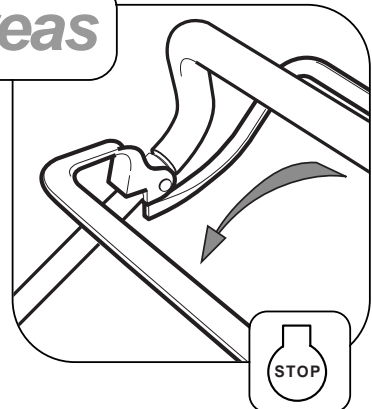
The cutterblade is driven by the engine via a friction disc to help prevent damage occurring to the engine crankshaft and cutting mechanism when a hidden obstruction or overload is encountered.

Always stop the engine when a hidden obstruction or excessive vibration is encountered. Disconnect the spark plug lead and examine the cutting mechanism. ALWAYS replace a damaged cutterblade - refer to "Maintenance".



Non-Grassed Areas

When moving the mower across non-grassed areas, stop the engine and set the mower to the maximum height of cut to protect the cutting mechanism.



MAINTENANCE SCHEDULE

Follow the hourly or calendar intervals, whichever occurs first. More frequent service will be required if working for prolonged periods under dusty, dry conditions, or when airborne debris is present or after extensive operation cutting tall, dry grass.

First 5Hrs

- After the very first five hours change the engine oil

Daily

- Check the oil level
- Remove grass debris from around the engine, exhaust/exhaust guard and air ways in the top cowl and underside of the deck housing.
- Remove grass debris from the grassbag and check for signs of damage.
- Check the condition of guards and safety devices and the cutterblade.

25Hrs or Every Season

- Change the engine oil if continuously operating under heavy load or high ambient temperature.
- Service the air cleaner.
- Lubricate wheels, pivot points and linkages and grease the inner control cables at point of entry and exit from their outer casing.
- Check the clutch cable adjustment.
- Sharpen the cutterblade.

50Hrs or Every Season

- Change the engine oil.

100Hrs or Every Season

- Clean the engine cooling system. Clean more often under dusty conditions or when airborne debris is present or after prolonged operation whilst cutting tall, dry grass.
- Replace the spark plug.
- Check valve clearances.

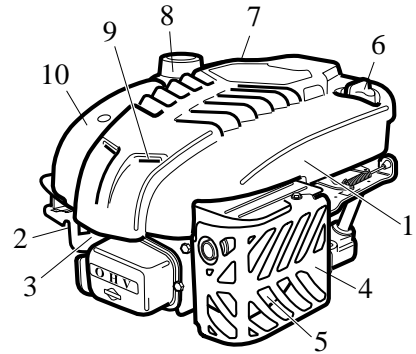
MOWER MAINTENANCE

To prevent accidents stop the engine disconnect the spark plug lead before attempting to carry out maintenance procedures on the mower.



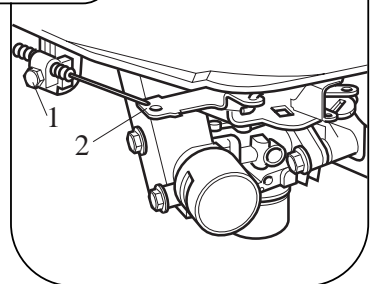
Engine

1. Engine Cowl
2. Spark Plug / Lead
3. Carburetor
4. Exhaust Guard
5. Exhaust
6. Oil fill/Dipstick
7. Start Grip
8. Fuel Cap
9. Finger Guard
10. Air Cleaner



Throttle Cable Adjustment

Loosen casing clamp screw (1) and move the governor lever (2) in the direction of screw (1) as far as possible. Move the throttle control to the choke position. Tighten casing clamp screw.



Carburettor Adjustments

Should only be made by an authorised Briggs & Stratton dealer. Under no circumstances should the engine be adjusted to run at a speed in excess of that shown on the Declaration of Conformity.

MOWER MAINTENANCE

Oil Service

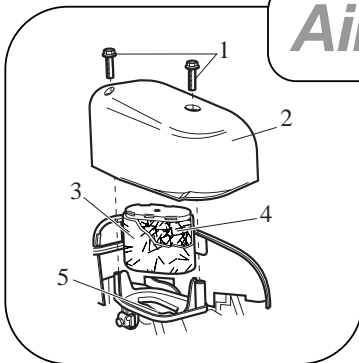


Check the oil level daily before starting the engine and ensure that the correct oil level is maintained. Refer to- 'Before Starting the Mower' for oil checking and filling instructions.

Change the engine oil after the first 5 hours of operation and thereafter according to the 'Maintenance Schedule':-

1. Drain fuel by running the engine until the fuel tank is empty.
2. Remove the spark plug lead.
3. Allow the engine to cool.
4. Drain the oil while the engine is warm.(Not hot)
5. Tip the mower over on to its left hand side thus ensuring that the air cleaner is kept uppermost **to prevent engine damage.**
6. Remove the oil filler dipstick and drain the oil into a suitable container.
7. Refill with new oil of the recommended SAE viscosity grade. (Refer to- 'Before Starting the Mower')

Air Cleaner Service



To service the air cleaner, loosen the two screws (1) and remove cover (2). Carefully remove pre-cleaner (3) and cartridge (4) wash in a solution of liquid detergent and water. Allow to air dry thoroughly before fitting.

If very dirty, replace.

- Do not use petroleum solvents.
- Do not use pressurised air.
- Do not oil the cartridge.

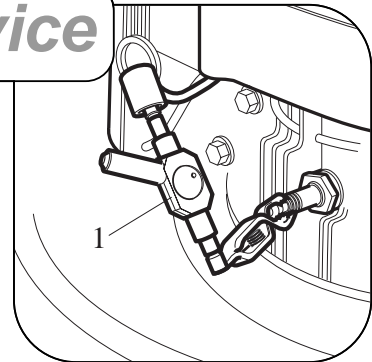
After servicing, install the pre-cleaner and cartridge in the assembly base (5). Replace the cover and securely tighten the screw to the base.

MOWER MAINTENANCE

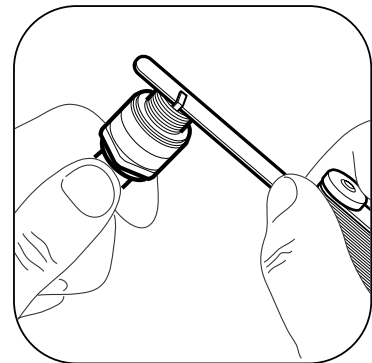
Spark Plug Service

Use only Briggs & Stratton spark tester (1) to check for a spark as shown in the diagram.

Replace the spark plug every 100 hours or every season, whichever occurs first. A spark plug wrench is available from any authorised Briggs & Stratton service dealer.



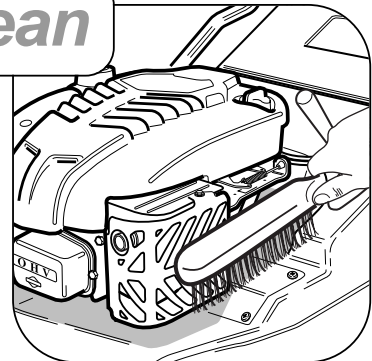
Check the spark plug gap with a feeler gauge and set at 0.76mm.



Keeping Engine Clean

Remove all grass and debris from the engine including the exhaust/exhaust guard, the air ways in the top cowl and the surrounding deck areas on a daily basis after use. Never spray the engine with water during cleaning. Water can contaminate the fuel. Always clean with a brush or compressed air.

Grass and debris may clog the engine's air cooling system especially after prolonged operation while cutting tall, dry grass. The internal cooling fins and surfaces may require cleaning to prevent overheating and engine damage. We recommend that this service be carried out by an authorised Briggs and Stratton dealer.



Grassbag

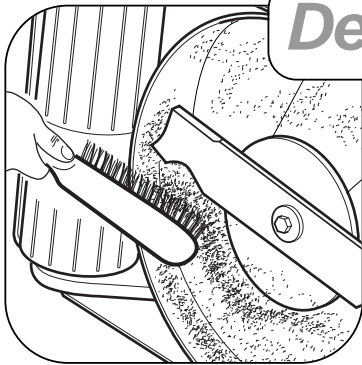
Remove grass debris from the grassbag immediately after use and check its condition for signs of damage.

To prevent accidents replace a damaged grassbag immediately.



MOWER MAINTENANCE

Deck Housing



Remove grass debris from the top and underside of the deck housing immediately after use.

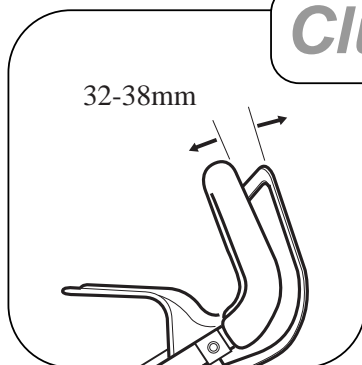
To prevent damage fertilisers and top dressings are particularly corrosive. Thoroughly clean the mower deck immediately after use on treated grass and store well away from corrosive materials.

Securing Nuts & Bolts



Regularly check that all securing nuts and bolts are tight. Replace missing or damaged items immediately.

Clutch Cable Adjustment



Check the clutch cable operation every 25 operating hours and adjust if necessary. The clutch cable is adjusted correctly when the belt drive just engages with the clutch lever positioned 32-38mm from the handlebar.



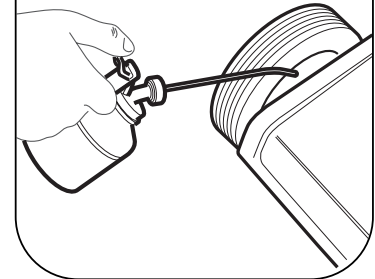
Unscrew the lock nuts (1) and screw the adjuster (2) in or out as necessary. Tighten the locknuts (1) when correctly adjusted.

MOWER MAINTENANCE

Lubrication

Lubricate the wheels, pivot points and linkages with engine oil every 25 operating hours.

Apply a good quality medium grease to the inner control cables at the point of entry and exit from their outer casing.



Cutterblade Removal

Drain the fuel by running the engine until the fuel tank is empty and the engine stops. **Remove the spark plug lead** and allow the engine to cool. Turn the mower on its left hand side and ensure that the air cleaner side of the engine is uppermost.

Firmly grip the end of the cutterblade with the gloved hand and remove the bolt, spring washer and distance piece securing the cutterblade with a 9/16" A/F spanner.

To prevent accidents never work on the cutterblade unless the spark plug lead has been removed. The cutterblade has sharp edges. ALWAYS wear strong gloves to protect your hands when working on the cutterblade. DO NOT rotate tools towards the cutting edges to avoid the risk of injury should the tool slip. ALWAYS use genuine Hayter replacement parts.

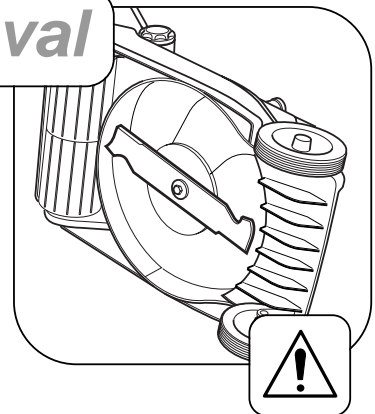
The condition of the cutterblade and its mounting arrangement should be checked regularly for signs of wear or damage. Ensure that the cutterblade is not bent or cracked.

A damaged cutterblade that is out of balance will vibrate excessively and may break. **DO NOT** use an unbalanced cutterblade.

Regularly check that the bolt securing the cutterblade is tightened to the specified torque of 54Nm.

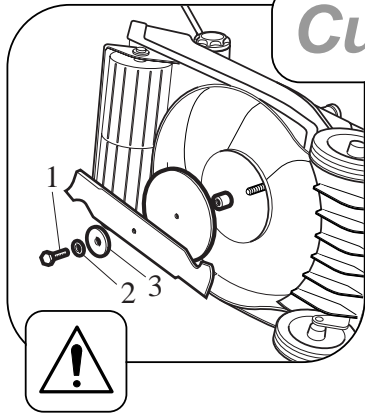
Replace the cutterblade every 2 years or sooner if excessively worn or damaged.

To prevent injury it is wise to seek assistance when turning the mower on its side.



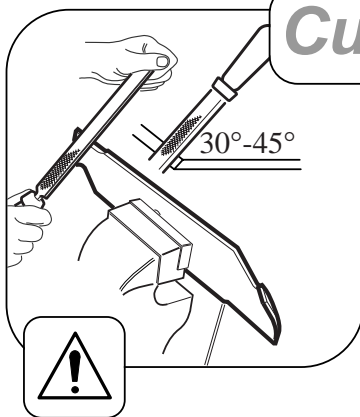
MOWER MAINTENANCE

Cutterblade Assembly

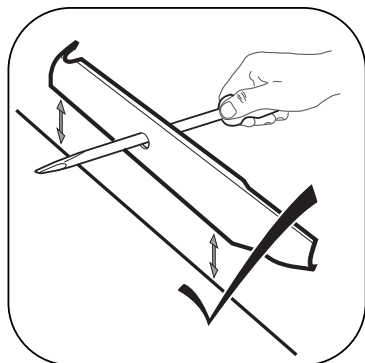


Assemble the cutterblade with the turned up edges facing towards the engine. Secure the cutterblade using the bolt (1), spring washer (2), and distance piece (3) and tighten to a torque of 54Nm

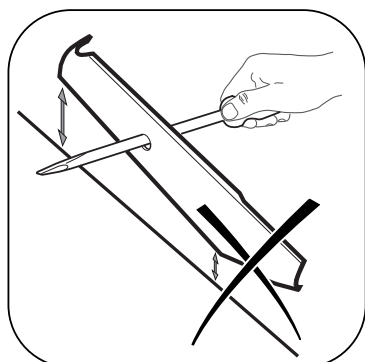
Cutterblade Sharpening



A slightly worn cutterblade may be re-sharpened. Both blade edges must be sharpened equally to ensure balance. Sharpen the cutterblade every 25 mowing hours or more frequently if conditions require. Remove the cutterblade from the mower and clean using a brush and water. Inspect the cutterblade for signs of damage. Sharpen both cutting edges with a flat file to restore performance.



Ensure that the cutterblade is balanced. Use a screw driver with a round shaft to support the cutterblade through its centre hole. Hold the cutterblade horizontal and then release. A balanced cutterblade will remain horizontal.

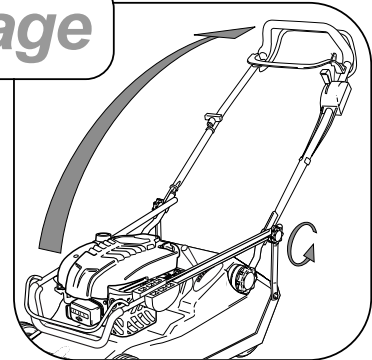


If the cutterblade is not balanced the heavy end will rotate downwards. Sharpen the heavy end until the cutterblade is correctly balanced.

MOWER MAINTENANCE

Storage

To store the handlebar unscrew the 2 small securing knobs sufficiently to allow it to be pivoted forwards to rest against the mower. Take care to ensure that the control cables do not become snagged at the pivot point and depress the engine stop lever to prevent it being damaged through contact with the engine spark plug.



Engines stored in excess of 30 days need to be protected with Briggs & Stratton fuel additive or drained of fuel to prevent gum from forming in the fuel system or on essential carburettor parts. To ensure your mower is maintained in good working order it is important that the following procedure is adopted. Refer to the Maintenance section as necessary.

Drain fuel from the engine by operating the engine until it stops.

Disconnect the spark plug lead.

Change the engine oil.

Remove the engine spark plug and pour 15ml of engine oil into the engine cylinder and replace the spark plug. Do not exceed the stated volume of oil as engine damage may occur on re-starting. **Do not replace the spark plug lead.** Slowly pull the engine start - grip once to crank the engine. This will distribute the oil and help prevent engine corrosion.

Clean grass and debris from the engine cylinder, cylinder head cooling fins, under top cowl, and around and behind exhaust/exhaust guard.

Clean all other areas of the mower and ensure that the grassbag is clean.

Lubricate the mower.

Treat metal parts with a water repellent anti-corrosion product.

Cover the mower with a protective sheet and store it in a dry, ventilated area.

TROUBLE SHOOTING

PROBLEM	POSSIBLE FAULT	REMEDY
Engine will not turn over	<p>Engine stop lever released.</p> <p>Incorrect oil level.</p> <p>Obstruction under deck.</p>	<p>Operate engine stop lever.</p> <p>Check oil level.</p> <p>Remove obstruction.</p>
Engine smokes	<p>Excess oil level.</p> <p>Air cleaner cartridge oil soaked or blocked.</p>	<p>Check oil level.</p> <p>Service air cleaner.</p>
Engine runs then stops	<p>Fuel starvation.</p> <p>Fuel cap vent blocked.</p>	<p>Fill fuel tank.</p> <p>Clean fuel cap vent.</p>
Engine will not start	<p>Engine under load.</p> <p>Fuel starvation.</p> <p>Engine cold.</p> <p>Incorrect/contaminated fuel.</p> <p>Spark plug lead disconnected.</p> <p>Throttle setting incorrect.</p> <p>Engine brake not released.</p> <p>Faulty spark plug.</p> <p>Wiring fault.</p>	<p>Raise height of cut.</p> <p>Fill fuel tank.</p> <p>Set throttle to 'choke' position.</p> <p>Drain fuel tank and fill with correct fuel.</p> <p>Connect spark plug lead.</p> <p>Set throttle to 'fast' position.</p> <p>Operate engine brake lever.</p> <p>Clean and adjust gap or replace.</p> <p>Check wiring.</p>
Engine runs rough	<p>Spark plug lead becoming disconnected in use.</p> <p>Faulty spark plug.</p> <p>Air cleaner blocked.</p> <p>Incorrect/contaminated fuel.</p>	<p>Connect spark plug lead.</p> <p>Clean and adjust gap or replace.</p> <p>Service air cleaner.</p> <p>Drain tank and fill with correct fuel.</p>

TROUBLE SHOOTING

PROBLEM	POSSIBLE FAULT	REMEDY
Engine vibrates excessively	Mounting bolts loose. Cutterblade bolt loose. Cutterblade out of balance. Bent crankshaft.	Tighten bolts Tighten bolt Balance cutterblade Consult your dealer
Uneven cut	Undulating ground conditions Cutterblade worn Cutterblade out of balance Wheels / roller damaged	Change direction of travel Sharpen the cutterblade Balance the cutterblade Inspect and replace as necessary
Discharge chute blocks	Grass is wet Cut height too low Grassbag full Airflow through the grassbag is restricted Engine speed too slow	Mow dry grass Increase cut height Empty grassbag Clean the grassbag Set throttle to fast position
Mower is hard to push	Cut height too low Wheels / roller damaged	Increase cut height Inspect and replace as necessary
Mower will not self propel	Clutch out of adjustment Drive belt damaged	Adjust clutch cable Replace drive belt
Poor grass collection	Airflow through the grassbag is restricted Discharge chute blocked Wet grass Grassbag full Engine speed too slow	Clean the grassbag Remove blockage Mow dry grass Empty grassbag Set throttle to fast position

DECLARATION OF CONFORMITY

EC DECLARATION OF CONFORMITY

HAYTER LIMITED,
Spellbrook, Bishop's Stortford, Herts CM23 4BU ENGLAND



declare that the lawnmower:

Models:	Harrier 48 Pro
Machine Type No.	CODE 486A
Category:	Auto-Drive Electric Start
Type:	Pedestrian Rotary
Engine manufacturer:	Briggs & Stratton
Speed of rotation:	2800 rpm
Width of cutting device:	480mm
Speed of rotation of the cutting device:	2800 rpm

Complies with the provisions of Directive: 98/37/EC Essential Health & Safety Requirements Relating to the Design & Construction of Machinery and Safety Components.

Also Directive 89/336/EEC amended by 92/31/EEC Electromagnetic Compatibility.

Also Directive 2000/14/EC Noise emission in the environment by equipment for use outdoors. (ANNEX VI)

Notified Body: Sound Research Laboratories Ltd. Holbrook House, Little Waldingfield,
Sudbury, Suffolk, ENGLAND
Notified body identification No: 1088

Measured sound power level:	95.2 dB(A)
Guaranteed sound power level:	96 dB(A)

Standards Used: EN2921, EN836 and ENISO14982

Signed

M.A. Wright
(Technical Director)

Date: 05.12.01

HAYTER LIMITED,
Spellbrook, Bishop's Stortford,
Herts CM23 4BU ENGLAND

VIBRATION INFORMATION

Lawnmower vibration information. RMS acceleration measured in 3 - axes at operators contact position on the handlebars. **CODE 486A = 5 ms⁻²**

PARTS LIST

NO.	DESCRIPTION	PART NO.	QTY	ITEM NOTE
1	Mainframe - Casting	486015V	1	
2	Plate - Location RH	480083V	1	
3	Clamp - Boss Inner	480084W	2	
4	Clamp - Boss Outer	480085W	2	
5	Nut - Nyloc Insert 'T' Type	09441	4	
6	Key - Woodruff	1662	1	
7	Throttle Control	486031	1	
8	Engine - B/S Intek edge 55 OHV	486040	1	
9	Decal - Engine	486005	1	
10	Knob - Handlebar	480088	2	
11	Handlebar - Lower	480168W	2	
12	Bolt - Handlebar	09785	2	
13	Nut - Nylon Insert	09544	1	
14	Washer - Plain	09472	1	
15	Guide Rope	305093	1	
16	Pin - Pivot	340182	2	
17	Decal - Engine Stop	331046	1	
18	Lever - Engine	340179	1	
19	Washer - Nylon	09688	2	
20	Handlebar	341029	1	
21	Lever - Clutch	306094W	1	
22	Screw	09687	2	
23	Cable Guide	480123	1	
24	Bracket - Cable Clutch	306108	1	
25	Screw	09704	1	
26	Cable - Clutch	480094	1	
27	Grassbag - Assy	486021	1	Includes items 28, 36 & 101
28	Frame - Grassbag	486018W	1	
29	Deflector - Rear	480140	1	
30	Pin - Roll	03997	1	
31	Spring - Deflector RH	480131	1	
32	Rod - Deflector	480062	1	
33	Screw - Pozi Pan Taptite	09758	2	
34	Bolt - Coach	09549	2	
35	Knob - HOC	480134	1	
36	Grassbag - Fabric	486019	1	
37	Spring - Deflector LH	480130	1	
38	Plate - Location LH	480082V	1	
39	Plate - Handlebar Retainer	480055	2	
40	Cover - APTO	480014	1	
41	Bearing - APTO	480050	1	
42	Screw - Washer Hd Taptite	09575	2	
43	Bush	340154	2	
44	Screw - Taptite	09349	3	
45	Foam Strip	480119	1	
46	Lever - HOC	480128	1	
47	Ratchet HOC Moulding	480147	1	

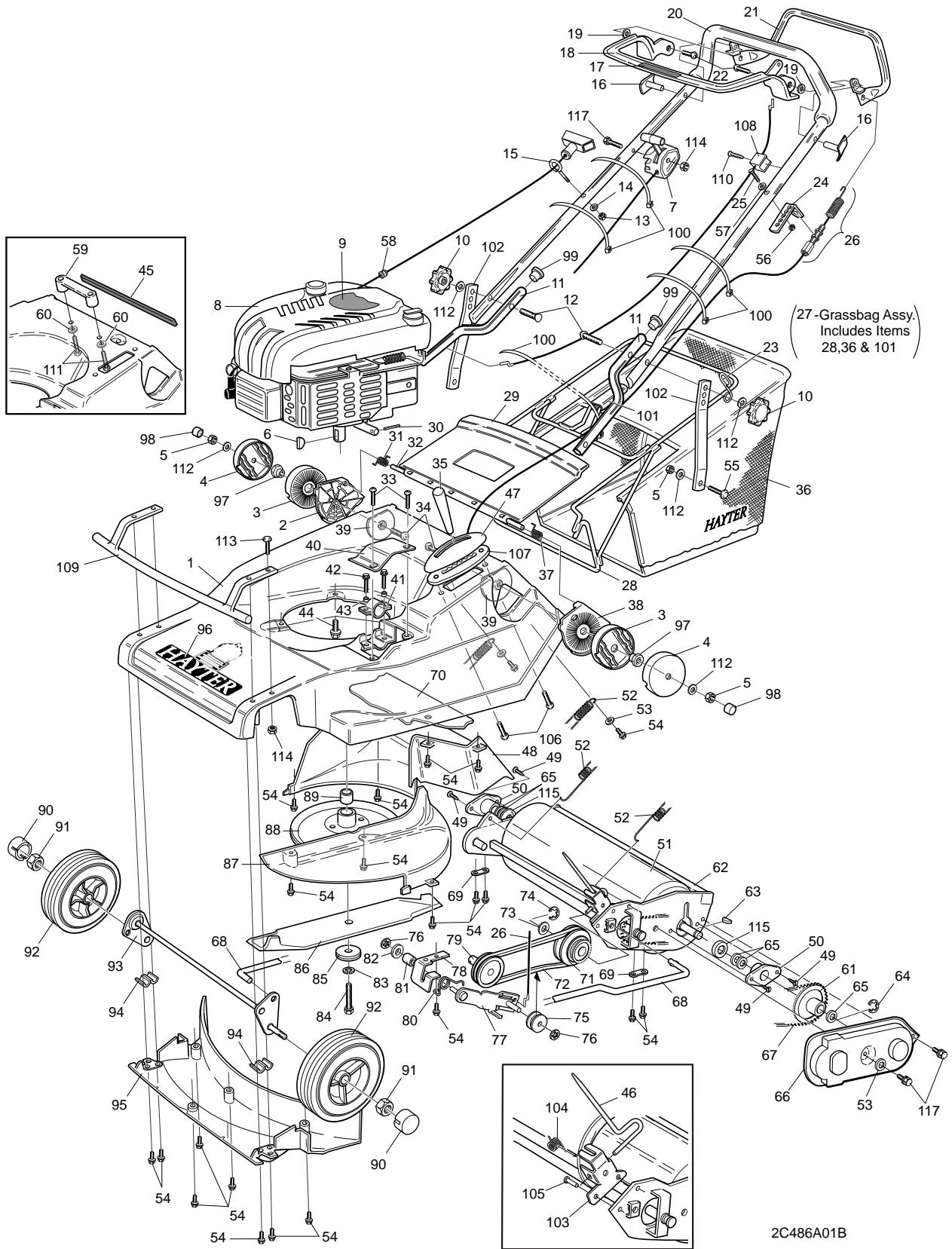
PARTS LIST

NO.	DESCRIPTION	PART NO.	QTY	ITEM NOTE
48	Throwplate - Main Body	480011	1	
49	Screw - Taptite	09545	4	
50	Bearing - Roller Housing	219102	2	
51	Roller - Rear W/A	480210	1	
52	Spring Tension - Rear Axle	480133	2	
53	Washer	09262	3	
54	Screw - Taptite	09365	22	
55	Bolt - Coach	09666	2	
56	Nut	09657	1	
57	Washer	09658	1	
58	Rope - Stop	MU42189	1	
59	Handle	486016	1	
60	Washer - Spring	03469	2	
61	Sprocket - 17 Teeth	219051	1	
62	Frame - Rear Roller W/A	480201W	1	Includes item 103
63	Key - woodruff	5321	1	
64	Circlip	1428	1	
65	Washer	480097	4	
66	Cover - Transmission	480206	1	
67	Chain	480209	1	
68	Rod - Connecting	480045	1	
69	Plate - Securing	219037	2	
70	Filler - Throwplate	480017W	1	
71	Pulley - Sprocket Fixed Speed	480208	1	
72	Belt - V APTO	486035	1	
73	Washer	02575	1	
74	Circlip	03096	1	
75	Pulley - Jockey	219156	1	
76	Washer - Starlock	0201086	2	
77	Bracket - Idler Assy	480115	1	
78	Belt Guide	480116	1	
79	Pulley - Drive APTO	486034	1	
80	Spring - Torsion Idler	480066	1	
81	Bush	4452	1	
82	Washer - M12 H.D.	09280	1	
83	Washer - Spring	09273	1	
84	Bolt - UNF	09121	1	
85	Distance Piece - Cutterbar	4014	1	
86	Cutterbar - 19"	480149	1	
87	Cover - Throwplate Drive	480012	1	
88	Disc - Friction	480070W	1	
89	Spacer	480072	1	
90	Cap - Hub	219143	2	
91	Nut - UNF Nyloc	4486	2	
92	Wheel	5218	2	
93	Axle - Front W/A	219031	1	

PARTS LIST

NO.	DESCRIPTION	PART NO.	QTY	ITEM NOTE
94	Moulding - Front axle Bearing	219036	2	
95	Fin - Front Insert	480013	1	
96	Decal - Hayter & Royal Warrant	300157	1	
97	Nut - M8 Shouldered	480086	2	
98	Cap	234051	2	
99	Plug - Tube	300160	2	
100	Tie - Cable	3966	4	
101	Handle - Grip	480106	1	
102	Brace - Support	486039W	2	
103	Bracket HOC	480157W	1	
104	Torsion Spring HOC	480132	1	
105	Rivet	-	2	
106	Screw	09634	2	
107	Ratchet	480156	1	
108	Cable - Engine Brake	486007	1	
109	Rail - Front	486008W	1	
110	Screw	09358	3	
111	Screw	09368	2	
112	Washer	09475	6	
113	Bolt - Coach	09668	4	
114	Nut	09438	5	
115	Washer - Nylon	4017	2	
116	Screw - Washer Hd Taptite	09546	2	
117	Setscrew - M6 x 55	09780	1	

PARTS LIST



2C486A01B

CUSTOMER INFORMATION /NOTES

Mower Serial No:.....

Engine Model:..... Type:..... Code:.....

Notes:

We hope you find the links below useful. For further gardening information visit
[Gardening Tools Direct](#)



Blower Vacs	Brush cutters	Brushcutters	Chainsaws	Chain saws
Cultivators	Cylinder lawn mowers	Cylinder mowers	Echo chainsaws	Echo Strimmers
Electric chainsaws	Fertiliser spreaders	Garden blowers	Garden rollers	Garden shredders
Garden tractors	Garden vacuums	Hayter lawn mowers	Hedge cutters	Hedgecutters
Hover mowers	Husqvarna chainsaws	Kawasaki brush cutters	Kawasaki strimmers	Lawn mowers
Lawn scarifiers	Lawn tractors	Leaf blowers	Leaf vacuums	Petrol chainsaws
Petrol hedge cutters	Ride on lawn mowers	Ride on mowers	Rotary mowers	Rotavators
Ryobi strimmers	Scarifiers	Strimmers	Westwood lawn tractors	Westwood ride on mowers
		Westwood tractors		