

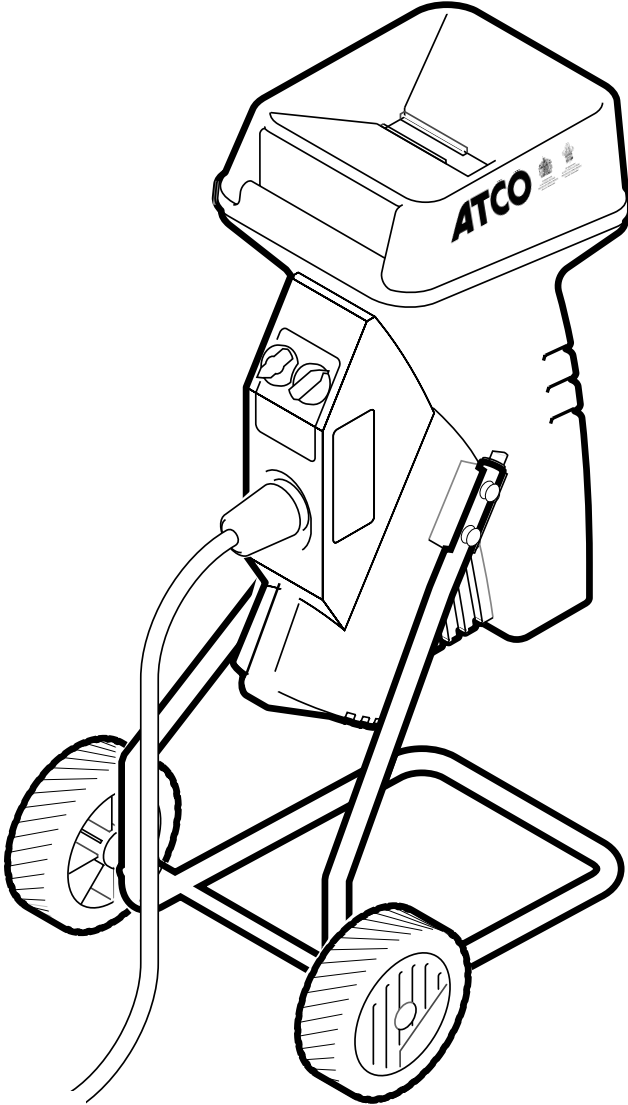
ATCO



By Appointment
to Her Majesty The Queen
Manufacturers of Motor Mowers
Atco Ltd., Stowmarket.



By Appointment
to H.R.H. The Prince of Wales
Manufacturers of Motor Mowers
Atco Ltd., Stowmarket.



SHREDDER OPERATING INSTRUCTIONS

Safety Rules



***WARNING ! Read these instructions carefully
Be familiar with the controls and the proper use of the garden shredder.***

Explanation of Symbols on the garden shredder



General hazard safety alert.



Caution: Rotating cutter.



Read Instruction manual.



Caution rotating cutter, keep hands and feet away from discharge-openings.



Eye protection must be worn.



Wear protective gloves when operating the garden shredder.



Switch off : Remove plug from mains before adjusting, cleaning or if cable is entangled or before leaving the Garden Shredder unattended for any period



Do not use in the rain or leave outdoors whilst raining



Keep children away from the machine. Persons under 16 years of age are not permitted to operate this machine. DO NOT operate this machine unattended.

Never allow children or people unfamiliar with these instructions to use the garden shredder.

Local regulations may restrict the age of the operator.

Do not operate this garden shredder in the vicinity of bystanders

The operator or user is responsible for accidents or hazards occurring to other people or their property.

Do not allow hands or any other part of the body or clothing inside the feeding chamber, discharge chute, or near any moving part.

Obtain and wear safety glasses at all times while operating the garden shredder.

Avoid wearing loose-fitting clothing.

Operate the garden shredder only on a firm, level surface.

Do not operate the garden shredder on a paved or gravel surface where ejected material could cause injury. Before starting the garden shredder, check that all screws, nuts, bolts and other fasteners are properly secured and guards and screens are in place. Replace damaged or unreadable warning and operating labels.

Before starting the garden shredder, make certain that the feeding chamber is empty.

Keep your face and body away from the feed opening. Keep proper balance and footing at all times. Do not overreach. Never stand at a higher level than the base of the garden shredder when feeding material into it.

Always stand clear of the discharge area when operating the garden shredder.

When feeding material into the garden shredder be extremely careful that pieces of metal, rocks, bottles, cans or other foreign objects are not included.

Remove the plug from the socket:-

- whenever you leave or transport the Garden Shredder;
- before clearing a blockage;
- before checking, cleaning or working on the garden shredder;
- after striking a foreign object. Inspect the Garden Shredder for damage and make repairs as necessary;
- if the garden shredder starts to vibrate abnormally or makes any unusual noise (check immediately).

If the cutting mechanism strikes any foreign objects or if the garden shredder should start making any unusual noise or vibration,

- 1) Inspect for damage.
- 2) Replace or repair any damaged parts.
- 3) Check for and tighten any loose parts.

Do not attempt to repair the garden shredder unless you are competent to do so.

Do not allow processed material to build up in the discharge area; this may prevent proper discharge and can result in kickback of material through the feed opening.

Ensure that only Atco Approved replacement parts are fitted.

Introduction

Thank you for buying your new Atco Garden Shredder. This manual gives instructions on the correct assembly and safe use of your shredder. It is important that you read these instructions carefully.

Please record the following information. It will help your service agent if you ever need assistance or spare parts. The information is located on a label on the rear of the machine.

Model N°	
Serial N°	
Date of purchase	

Unpacking

Carefully remove the machine from its packaging and check that you have all the following items:

Shredder (including stand)
Axle
2 nuts, 2 washers, 2 bolts, 2 cup square washers,
2 wheels, 2 plugs, pusher/cleaner,
Operating Instructions,
and Machine Registration Card

If any components are missing please call the Consumer Care Hotline on (01449) 742120 for assistance. We also have a wide network of Atco Approved Service Agents who you can contact for service and advice both within and outside the period of the guarantee.



WARNING!



**SWITCH OFF, REMOVE PLUG FROM
MAINS BEFORE ADJUSTING,
CLEANING OR IF CABLE IS CUT OR
ENTANGLED.**

**THE BLADE CONTINUES TO ROTATE
FOR A FEW SECONDS AFTER THE
MACHINE IS SWITCHED OFF.**

**CAUTION - DO NOT TOUCH
ROTATING BLADE.**

Electrical Safety

Note: It is recommended for increased electrical safety to use a Residual Current Device (RCD) with a tripping current of not more than 30mA. Always check your RCD every time you use it.

Note: Your garden shredder is fitted with an approved 13A (BS1363/A) electric plug and is protected by a 13A fuse (ASTA Approved to BS1362).

If the fitted plug is not suitable for your socket outlets, it should be cut off and an appropriate plug fitted in its place.

The severed plug must be disposed of to avoid a possible shock hazard and should never be inserted into a 13A socket elsewhere.

Your garden shredder is double insulated for safety and requires no earth connection. The operating voltage is 230V ac.50Hz.

Extension cable

The type of cable used must be 3 core double insulated with a cross section of 3 x 1.5mm² for cable lengths up to 25m.

For cable lengths over 25m, a cross section of 3 x 2.5mm² is recommended because a smaller cable reduces the performance of the machine.

In case of uncertainty please consult an electrician or your approved Atco Approved Service Agent.

Assembly

1. Remove and fit the stand to the shredder Fig 1.
2. Assemble the axle to the stand and fit the wheels Fig 1.

Using your Garden Shredder

Starting and Stopping-

Starting

Place the switch Fig 2A in position I.



Stopping

Place the switch Fig 2A in position O.

Note: If a mains failure occurs during operation the switch will return to the position O to prevent the garden shredder starting on its own when the power supply is resumed.

Selecting the Mode of Operation

The garden shredder has two modes of operation which can be selected by moving the knob Fig 2B to the required position whilst the garden shredder switch Fig 2A is in position O, these are as follows:

- Right Position:**  The cutting roller pulls in and shreds the material.
- Left Position:**  The cutting roller runs backwards and frees jammed material.

Shredding

Advice on shredding

When shredding always ensure that the garden shredder is on level ground, do not shred branches over 30mm diameter for 1600 models or 35 mm diameter for 1800 models. Only insert as much material as can be fed into the feed opening, the material will feed into the cutter roller without further assistance.

When shredding long branches keep a safe distance from the garden shredder as the branches may traverse about.

When shredding withered/moist material or garden waste, store it for a few days before shredding or alternately shred with branches.

Do not shred kitchen waste.

If the cutter roller jams

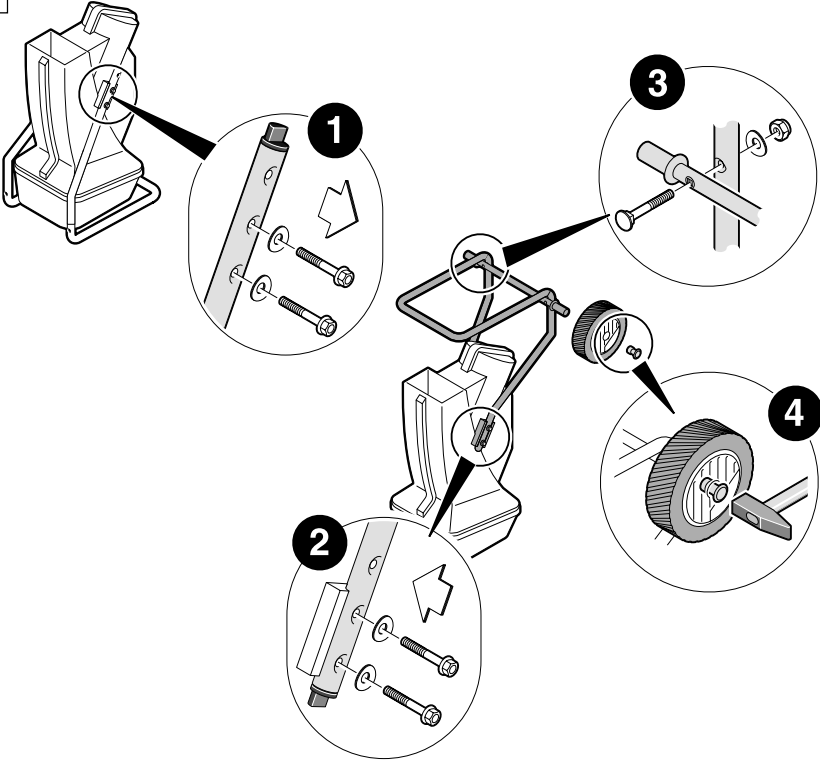
- 1) Stop the garden shredder.
- 2) Place the selection knob Fig 2B in the left position and start the garden shredder.
- 4) If the blockage cannot be cleared, contact an Atco Approved Service Agent.

After Shredding/Storage

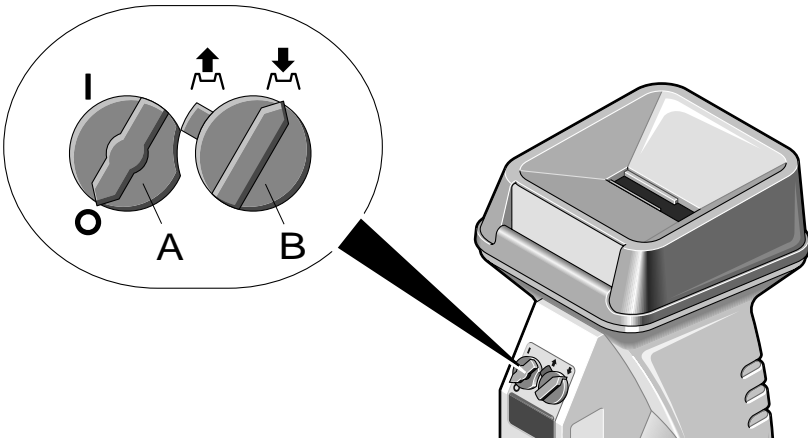
Clean the exterior of the machine thoroughly using a soft brush and cloth. Do not use water, solvents or polishes. Remove all garden debris, especially from the ventilation slots.

Store the machine in a dry place. Do not place other objects on top of the machine.

1



2



Fault Finding

The following table gives checks and actions that you can perform if your machine does not operate correctly. If these do not identify/remedy the problem contact your Atco approved service agent.

Warning - switch off, remove plug from mains before investigating fault.

Symptom	Possible Cause	Remedy
Fails to operate	Is the power turned on?	Turn power on
	Is the mains socket live?	Try another socket and /or another appliance
	Has the fuse blown?	Replace 13 Amp fuse
	Fuse continues to blow	Contact an Atco Approved Service Agent
	Supply cable damaged	Contact an Atco Approved Service Agent
Works intermittently	Supply cable damaged	Contact an Atco Approved Service Agent
	Motor fault	Contact an Atco Approved Service Agent
Excessive vibration/ noise	Motor fault noise	Contact an Atco Approved Service Agent

ATCO



Declaration of conformity

PRODUCT: Garden Shredder
MODEL/TYPE REF: Atco Quiet Shredder 1600
Atco Quiet Shredder 1800
SERIAL NUMBER: See Rating details on machine
MANUFACTURED BY: Robert Bosch
Elektrowerkzeuge GmbH
Postfach 84
01851 Sebnitz, Germany
IDENTIFICATION: Electric garden shredder

A Sample of the product has been tested and found to be in conformity with the following:

Machinery Directive 89/392/EEC
Low Voltage Directive 73/23/EEC
Electromagnetic Compatibility Directive 89/336/EEC
and DIN 11004

All Certificates and Relevant Test Reports are included in the Technical Construction File which has been agreed with the British Standards Institute, 389 Chiswick High Road, London, W4 4AL, England

PLACE: Stowmarket, February 1998

SIGNATURE: Director

The airborne noise emission of this machine has been measured at 84 dB(A)(unloaded). This is the equivalent continuous A -weighted sound pressure level at the operators position.

The Vibrations transmitted by the machine when in motion, (unloaded) do not exceed 2.5m/s². (The weighted root mean square acceleration value.)

The Guarantee

Atco guarantees this product against manufacturing defects. We will repair (or replace at our option) if a manufacturing defect occurs within the guarantee period as long as it has only been subjected to domestic use.

For the purpose of this guarantee, domestic use means any use of the product on the property belonging to the purchaser and forming part of the garden area of his/her dwelling.

The guarantee period is 1 year parts and labour costs from date of purchase.

To obtain a repair under this guarantee:

- Take the product to an approved service agent.
- Show your dated proof of purchase.
- Show this guarantee.

The guarantee does not apply if:

- i. You cannot provide dated proof of purchase.
- ii. The product has been resold by the original purchaser (this does not apply in the Republic of Ireland), or has been used under hire.
- iii. The product has been modified to change the manufacturers specifications, or if non genuine replacement parts have been fitted.
- iv. Any previous repair was undertaken by anyone other than an approved service agent.
- v. The fault is due to maladjustment, abuse, neglect or accidental damage.
- vi. The fault is due to lack of maintenance.
- vii. Damage to any part, particularly the drive or cutting mechanism has been caused by allowing the product to strike solid objects.
- viii. The product develops a fault due to abnormal use.

- ix. Failure is due to normal wear. The following parts are considered as wearing parts. Their life is dependant on regular servicing and they are not therefore, normally covered by the guarantee:

Cutting mechanism

Bearings

Cables

The cost of routine maintenance of the product is not covered by the guarantee.

It is in your best interest to follow the Operating Instructions for your machine, as a properly cared for product should give many years of excellent service.

Should you require replacement parts, always insist on genuine Atco replacement parts. Any damage caused to the product through the fitting of parts not made by Atco is not covered by the guarantee.

Your statutory rights are not affected by this guarantee.



Environmental Information

Your product has been manufactured under an environmental management system using, when possible, the most environmentally responsible materials and processes, and with the potential for recycling at the end of its life. The packaging is also recyclable.

When the time comes to dispose of this product please consider the environment and take it to a recognised recycling facility.

(Please contact your local authority for location information).

We hope you find the links below useful. For further gardening information visit
[Gardening Tools Direct](#)



Blower Vacs	Brush cutters	Brushcutters	Chainsaws	Chain saws
Cultivators	Cylinder lawn mowers	Cylinder mowers	Echo chainsaws	Echo Strimmers
Electric chainsaws	Fertiliser spreaders	Garden blowers	Garden rollers	Garden shredders
Garden tractors	Garden vacuums	Hayter lawn mowers	Hedge cutters	Hedgecutters
Hover mowers	Husqvarna chainsaws	Kawasaki brush cutters	Kawasaki strimmers	Lawn mowers
Lawn scarifiers	Lawn tractors	Leaf blowers	Leaf vacuums	Petrol chainsaws
Petrol hedge cutters	Ride on lawn mowers	Ride on mowers	Rotary mowers	Rotavators
Ryobi strimmers	Scarifiers	Strimmers	Westwood lawn tractors	Westwood ride on mowers
		Westwood tractors		