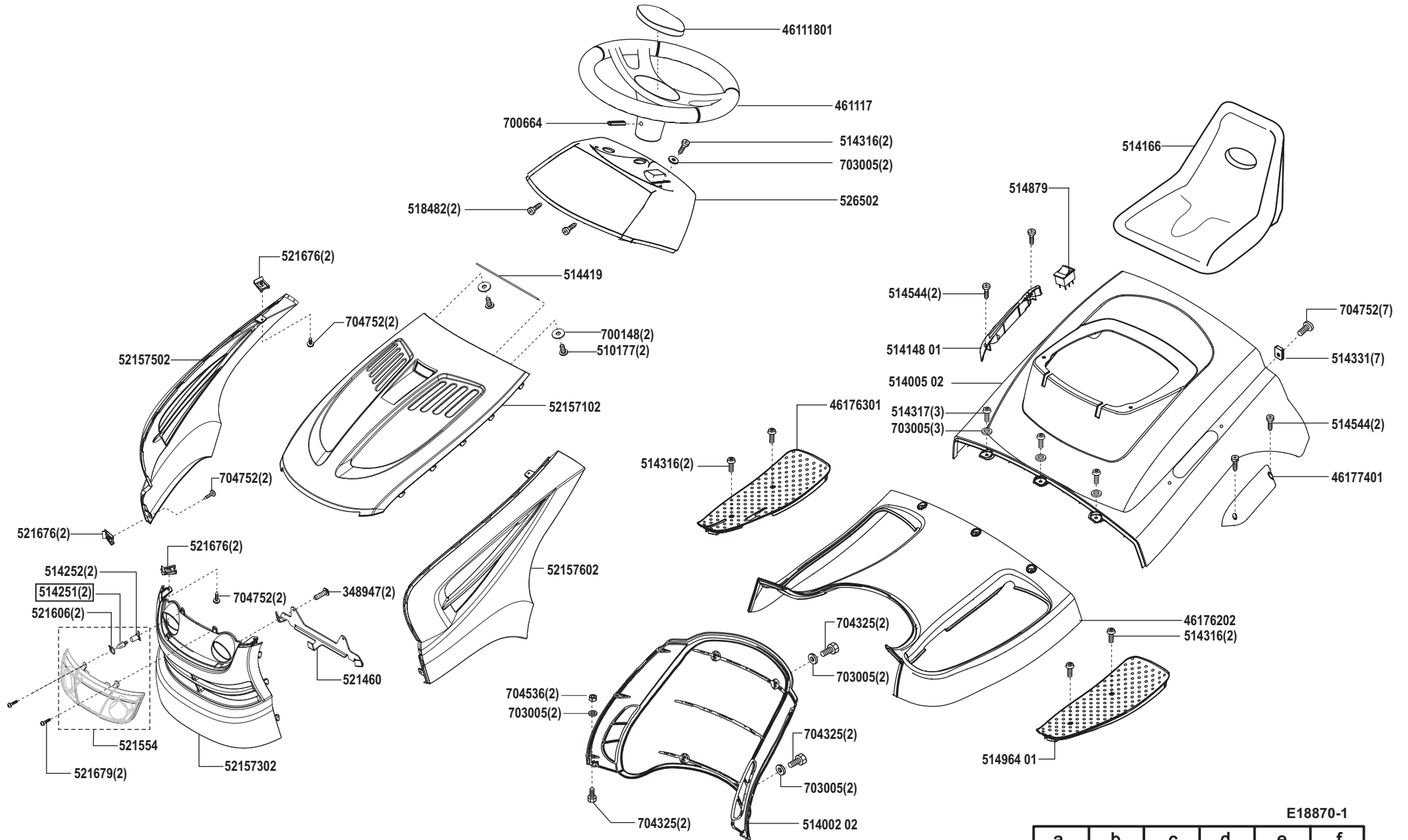


# Power Line T 18-102 HD

Art. 118870



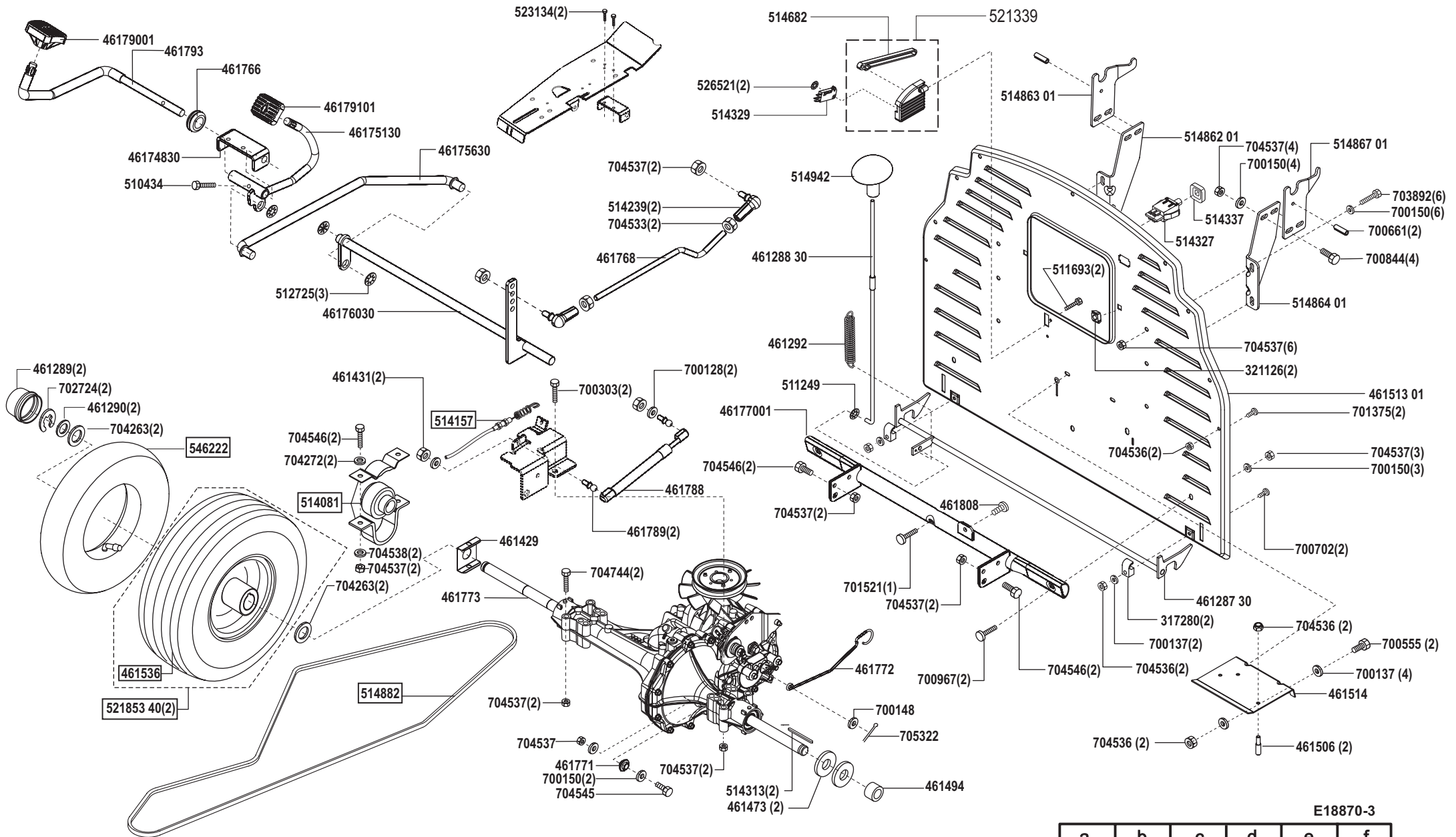
E18870-1

a	b	c	d	e	f
08/06					



# Power Line T 18-102 HD

Art. 118870

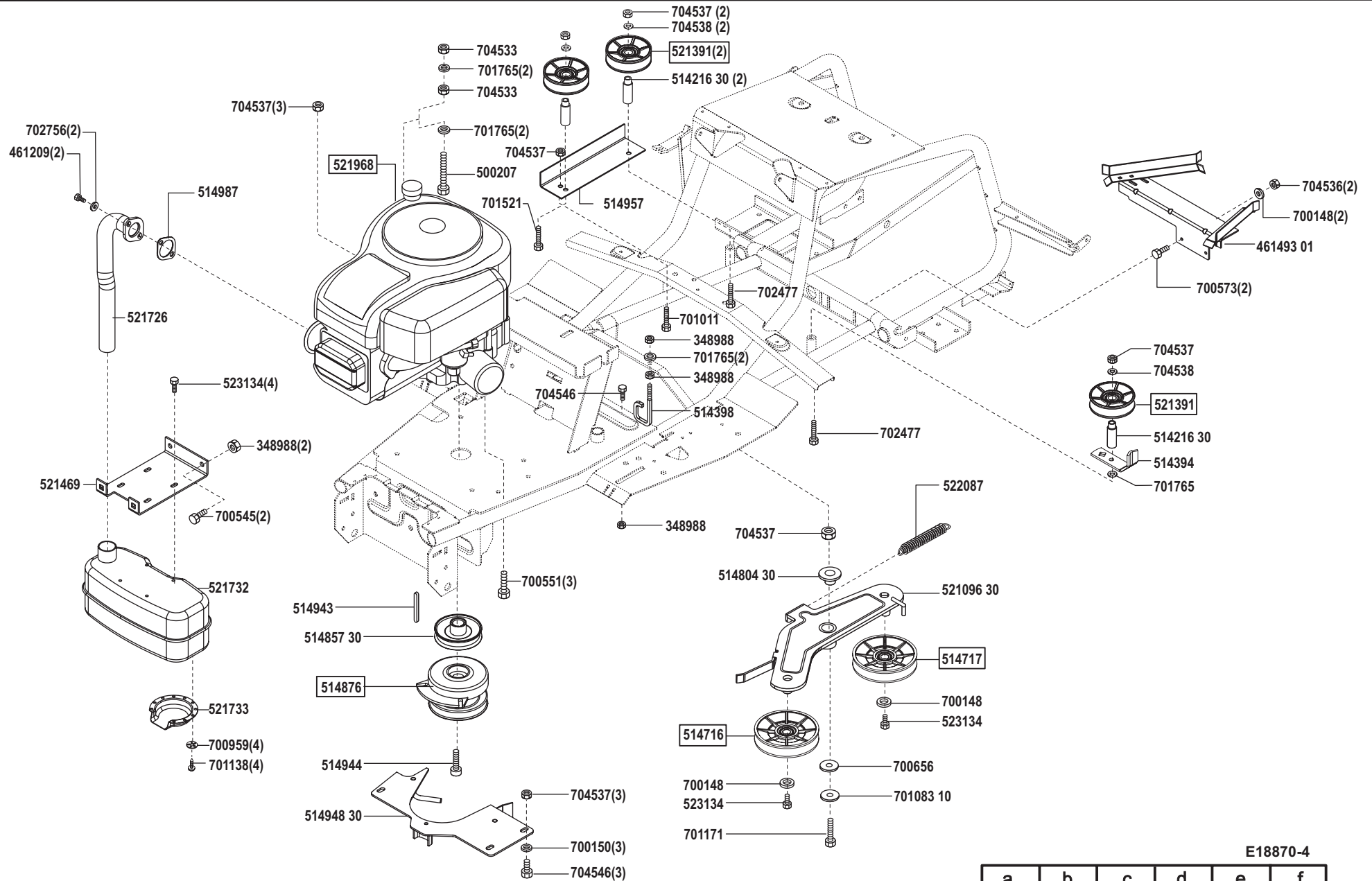


E18870-3

a	b	c	d	e	f
---	---	---	---	---	---

# Power Line T 18-102 HD

Art. 118870

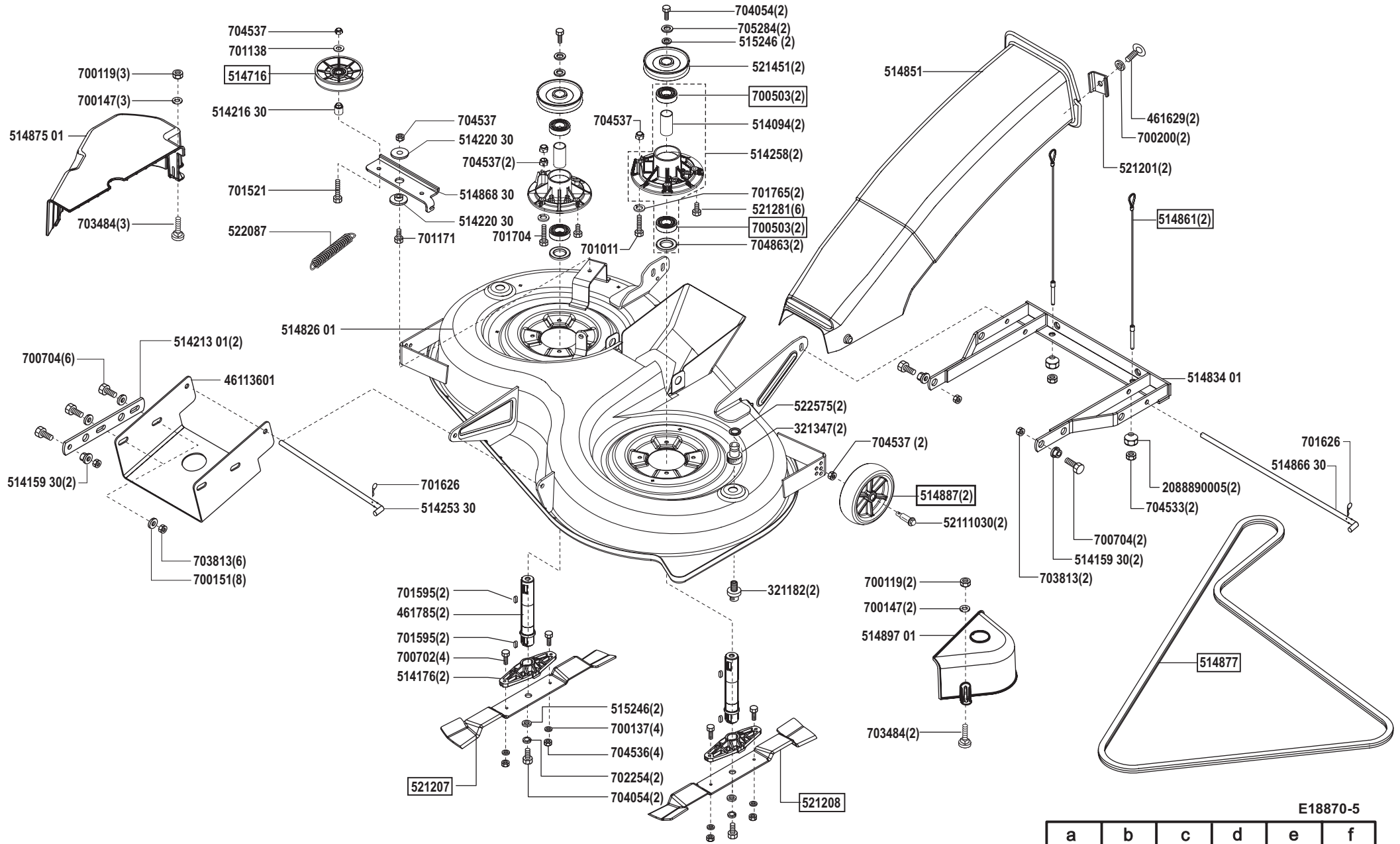


E18870-4

a	b	c	d	e	f
---	---	---	---	---	---

# Power Line T 18-102 HD

Art. 118870

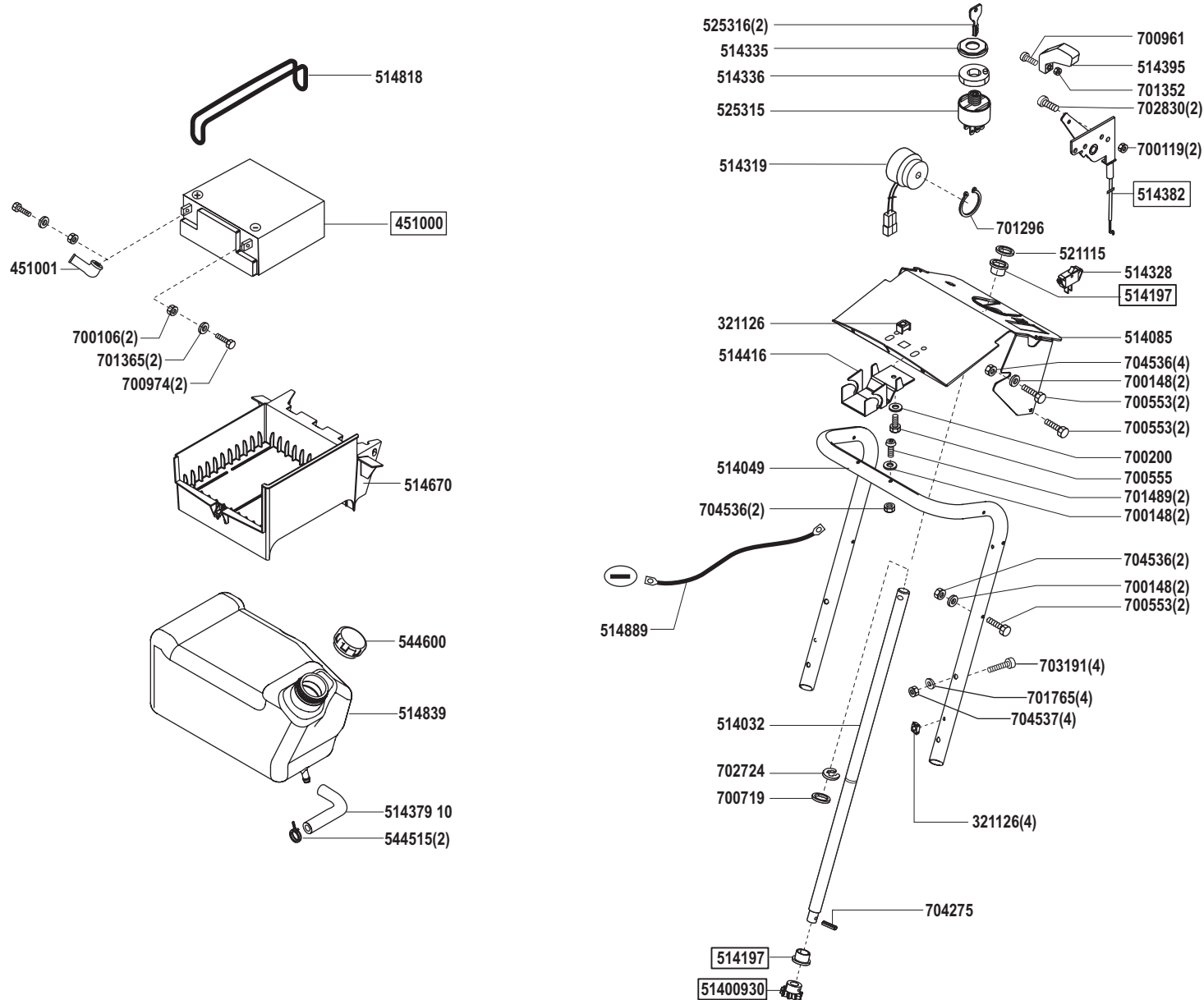


E18870-5

a	b	c	d	e	f
---	---	---	---	---	---

# Power Line T 18-102 HD

Art. 118870

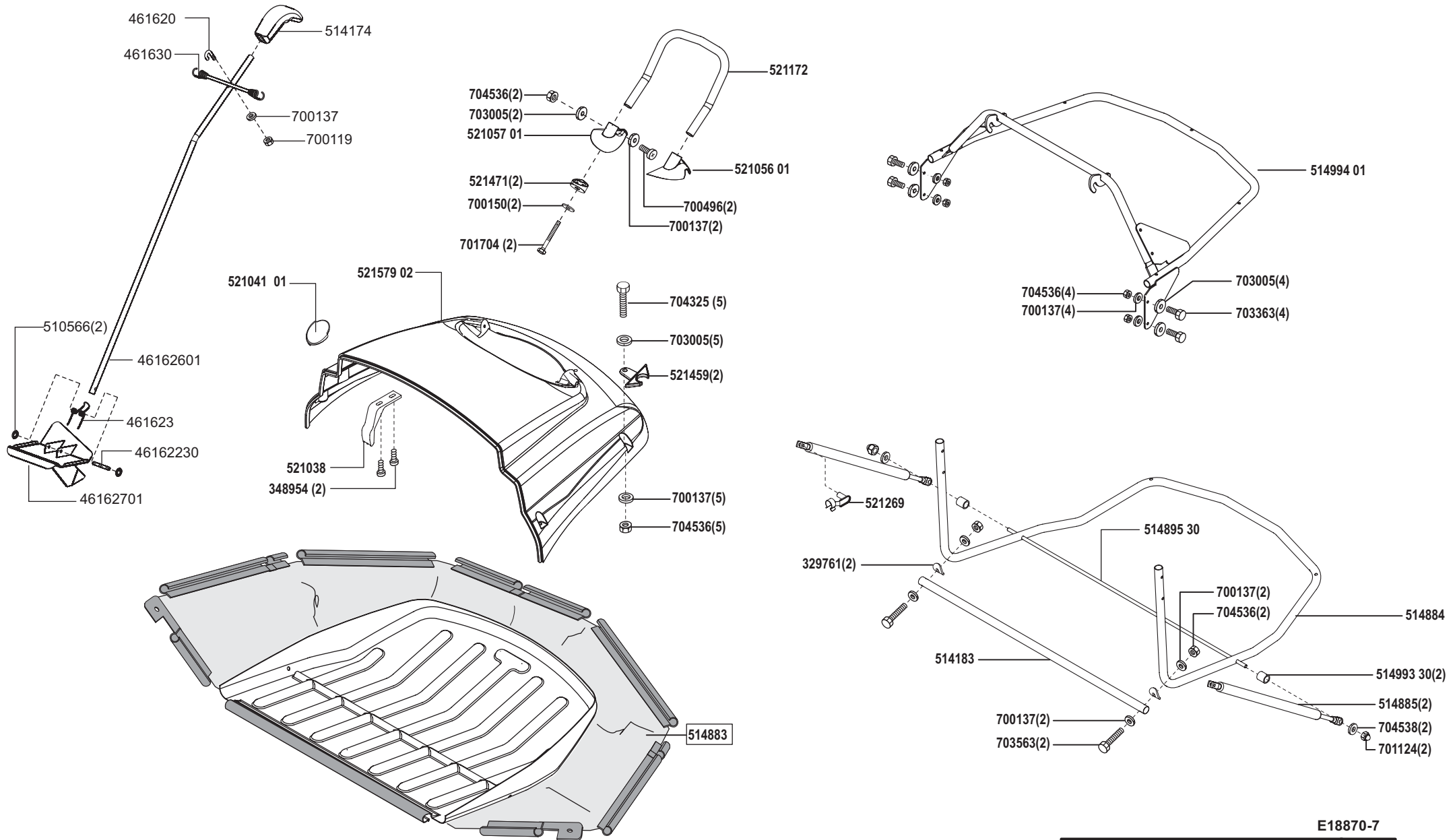


E18870-6

a	b	c	d	e	f
---	---	---	---	---	---

# Power Line T 18-102 HD

Art. 118870

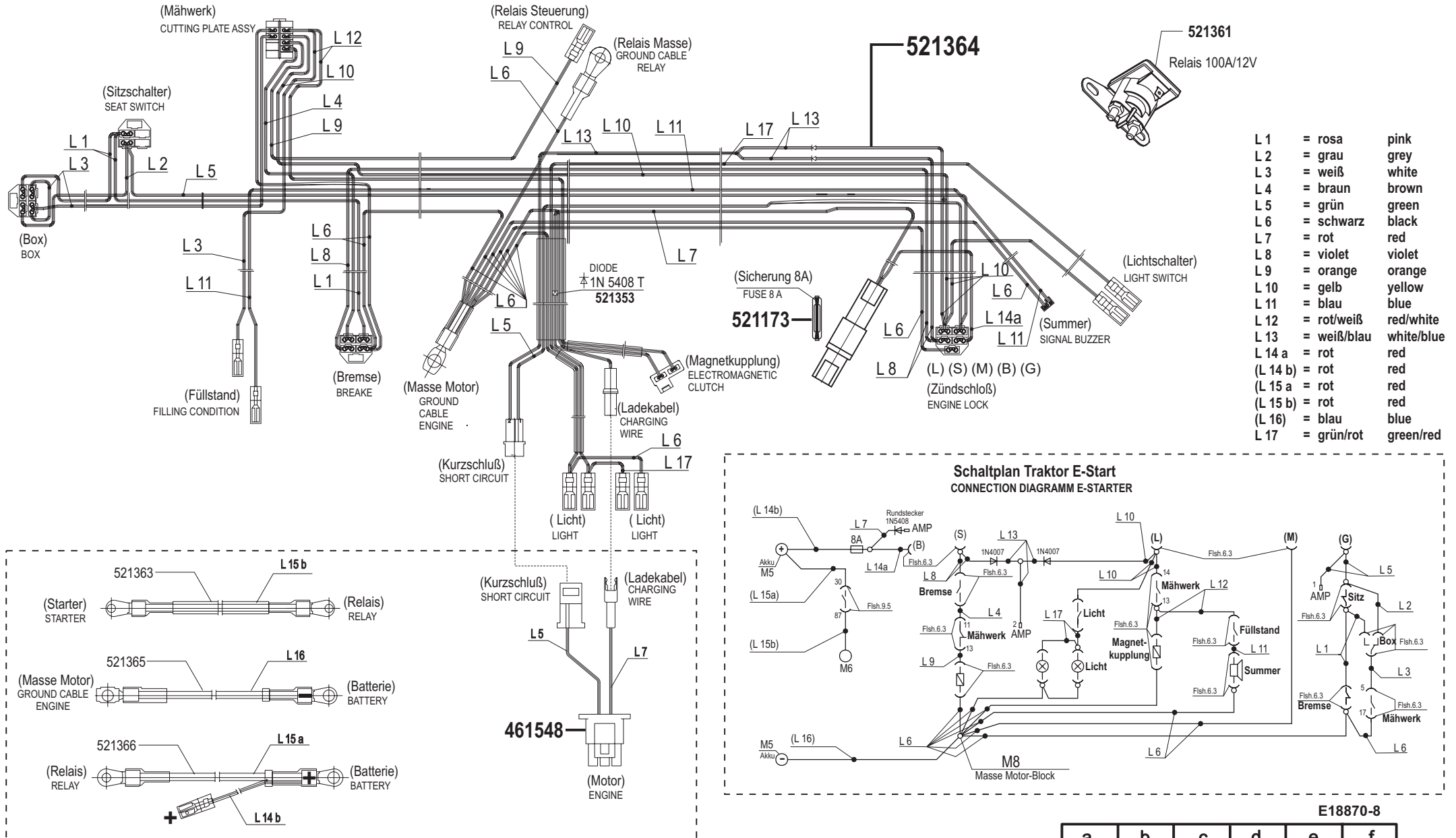


E18870-7

a	b	c	d	e	f
---	---	---	---	---	---

# Power Line T 18-102 HD

Art. 118870



- L 1 = rosa pink
- L 2 = grau grey
- L 3 = weiß white
- L 4 = braun brown
- L 5 = grün green
- L 6 = schwarz black
- L 7 = rot red
- L 8 = violett violet
- L 9 = orange orange
- L 10 = gelb yellow
- L 11 = blau blue
- L 12 = rot/weiß red/white
- L 13 = weiß/blau white/blue
- L 14 a = rot red
- (L 14 b) = rot red
- (L 15 a) = rot red
- (L 15 b) = rot red
- (L 16) = blau blue
- L 17 = grün/rot green/red

[http://www.gardening-tools-direct.co.uk/content/petrol\\_hedge\\_cutters.htm](http://www.gardening-tools-direct.co.uk/content/petrol_hedge_cutters.htm)  
[http://www.gardening-tools-direct.co.uk/content/leaf\\_blowers.htm](http://www.gardening-tools-direct.co.uk/content/leaf_blowers.htm)  
<http://www.gardening-tools-direct.co.uk/content/strimmers.htm>  
[http://www.gardening-tools-direct.co.uk/content/petrol\\_lawn\\_mowers.htm](http://www.gardening-tools-direct.co.uk/content/petrol_lawn_mowers.htm)  
[http://www.gardening-tools-direct.co.uk/content/electric\\_hedge\\_cutters.htm](http://www.gardening-tools-direct.co.uk/content/electric_hedge_cutters.htm)  
[http://www.gardening-tools-direct.co.uk/content/hedge\\_trimmers.htm](http://www.gardening-tools-direct.co.uk/content/hedge_trimmers.htm)  
[http://www.gardening-tools-direct.co.uk/content/petrol\\_shredders.htm](http://www.gardening-tools-direct.co.uk/content/petrol_shredders.htm)  
[http://www.gardening-tools-direct.co.uk/content/garden\\_strimmers.htm](http://www.gardening-tools-direct.co.uk/content/garden_strimmers.htm)  
[http://www.gardening-tools-direct.co.uk/content/lawn\\_sweepers.htm](http://www.gardening-tools-direct.co.uk/content/lawn_sweepers.htm)  
<http://www.gardening-tools-direct.co.uk/content/tillers.html>  
[http://www.gardening-tools-direct.co.uk/content/kranzle\\_pressure\\_washers.html](http://www.gardening-tools-direct.co.uk/content/kranzle_pressure_washers.html)  
<http://www.gardening-tools-direct.co.uk/content/walk-behind-leaf-vacs.html>  
<http://www.gardening-tools-direct.co.uk/content/dori-cultivators.html>  
<http://www.gardening-tools-direct.co.uk/content/merry-tiller-cultivators.html>  
<http://www.gardening-tools-direct.co.uk/content/alpina-lawn-mowers.html>  
<http://www.gardening-tools-direct.co.uk/content/log-splitters.htm>  
[http://www.gardening-tools-direct.co.uk/content/lawn\\_tractors.htm](http://www.gardening-tools-direct.co.uk/content/lawn_tractors.htm)