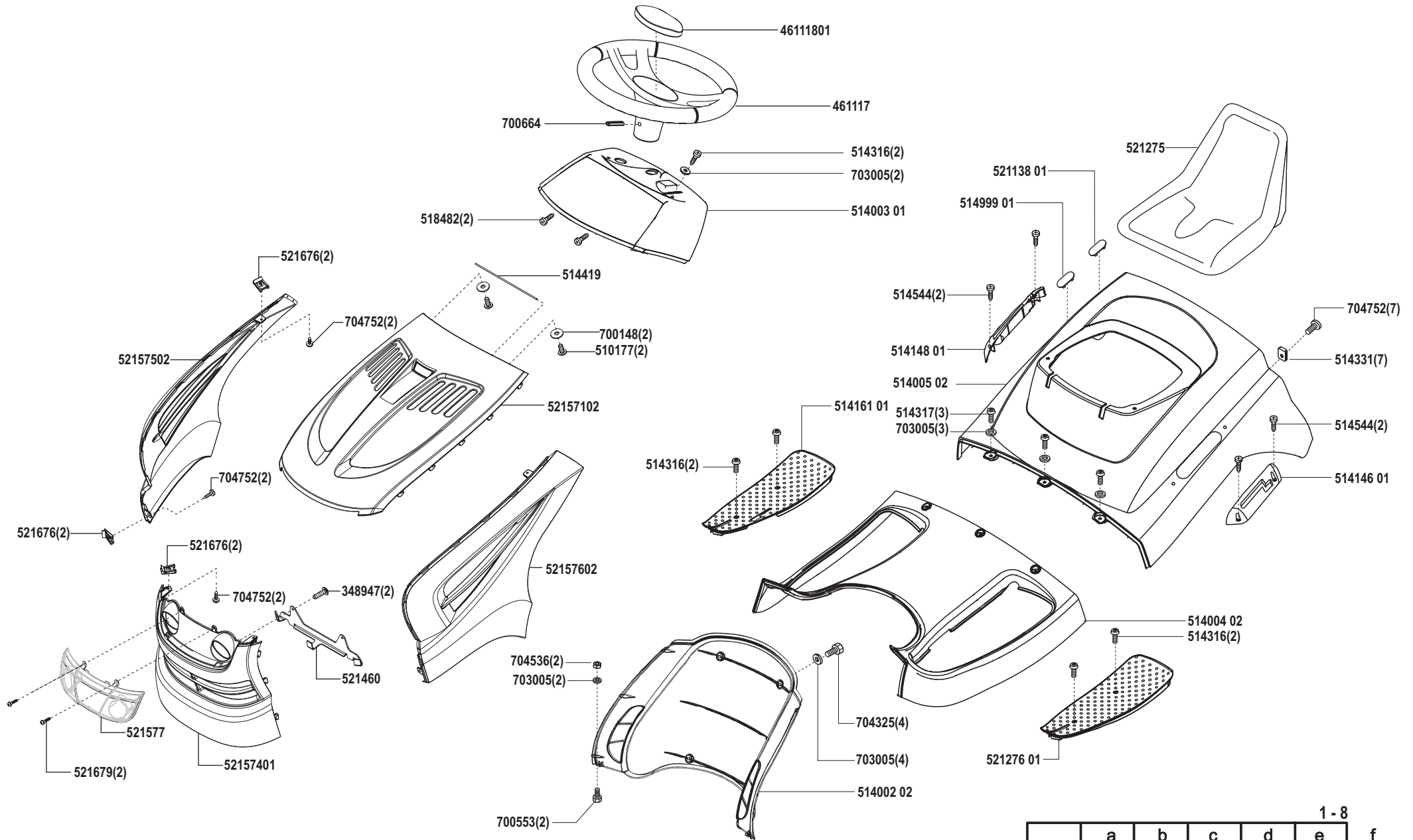


# T 850 R

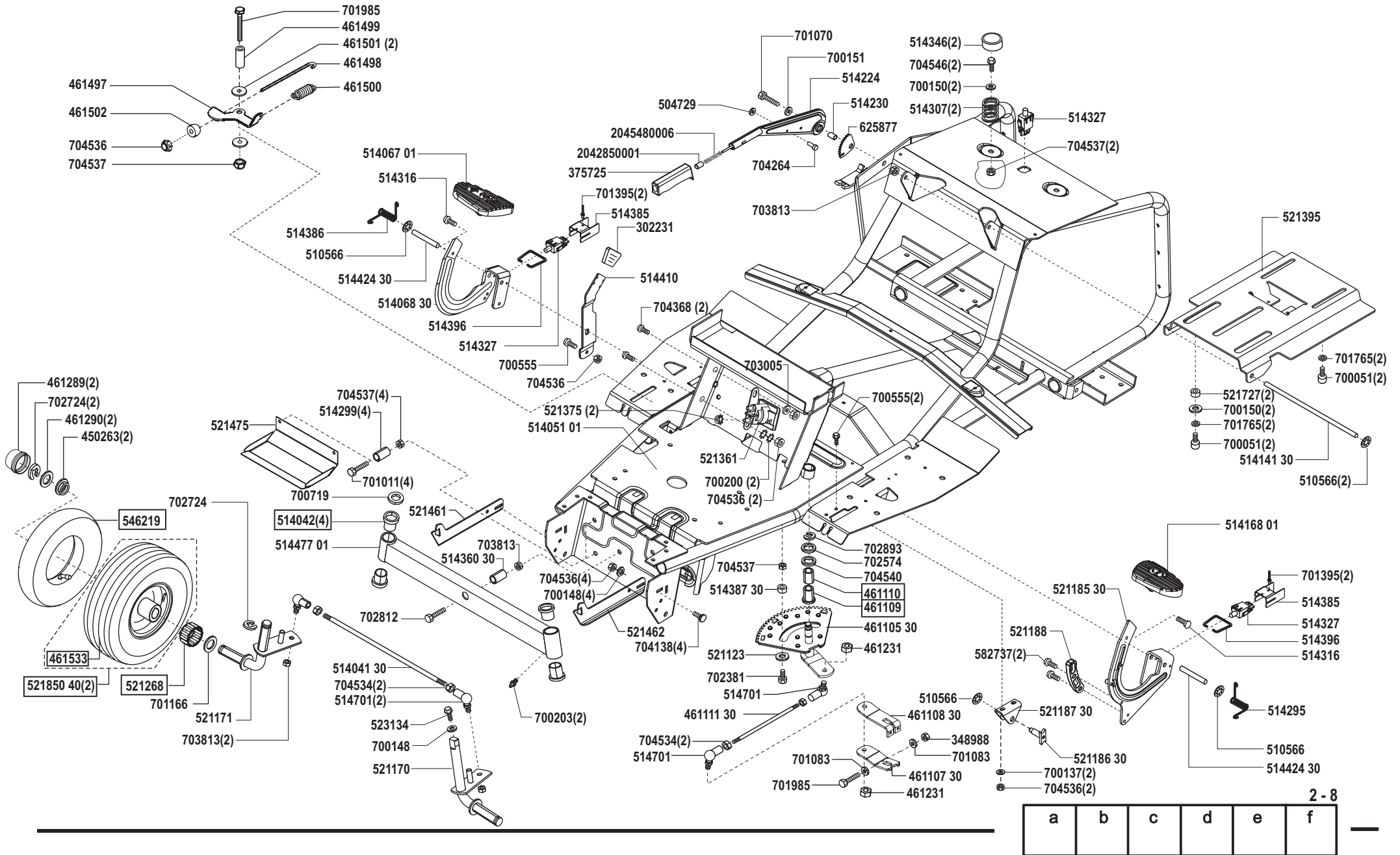
Art. Nr. 118914



					1 - 8	
09/06	a	b	c	d	e	f

# T 850 R

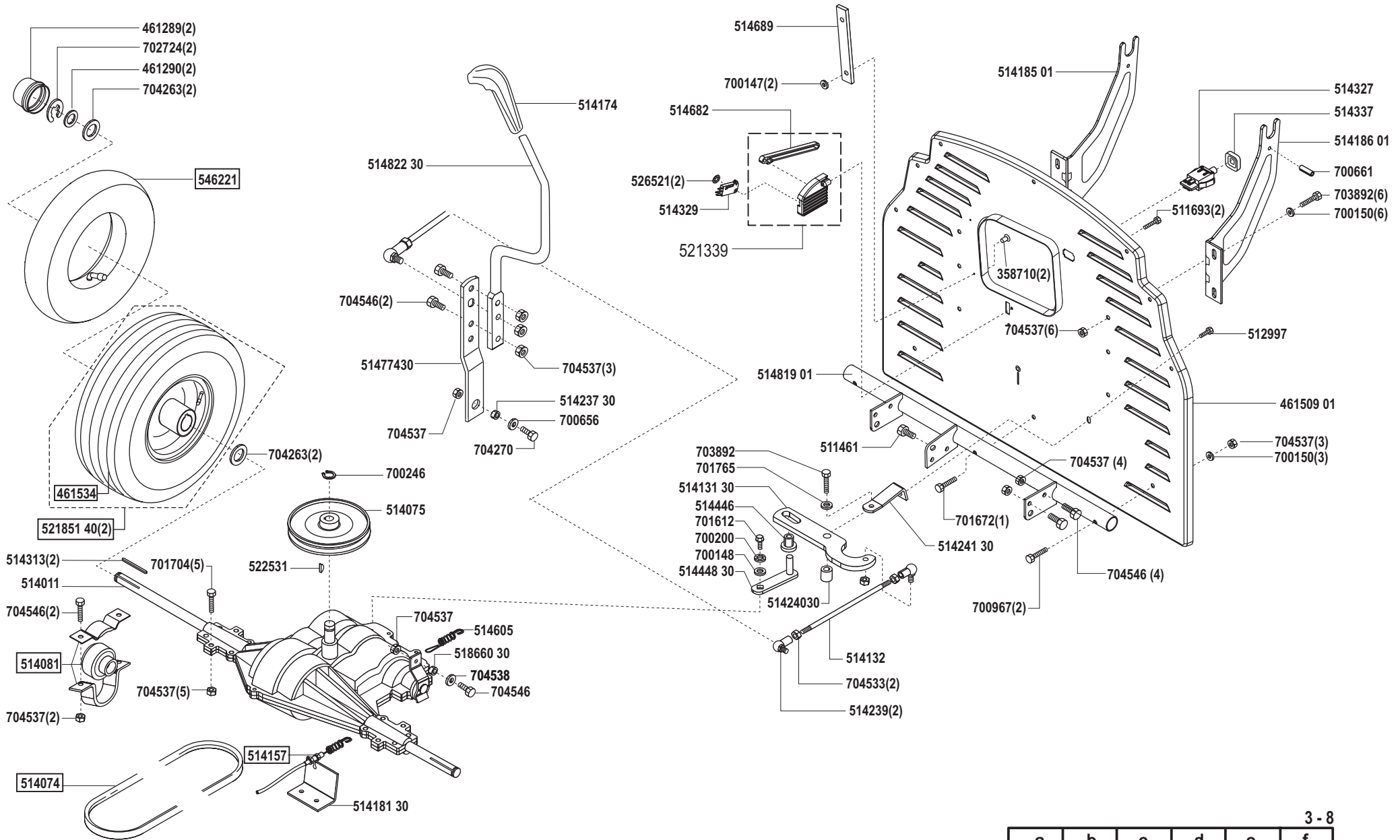
Art. Nr. 118914



a	b	c	d	e	f
---	---	---	---	---	---

# T 850 R

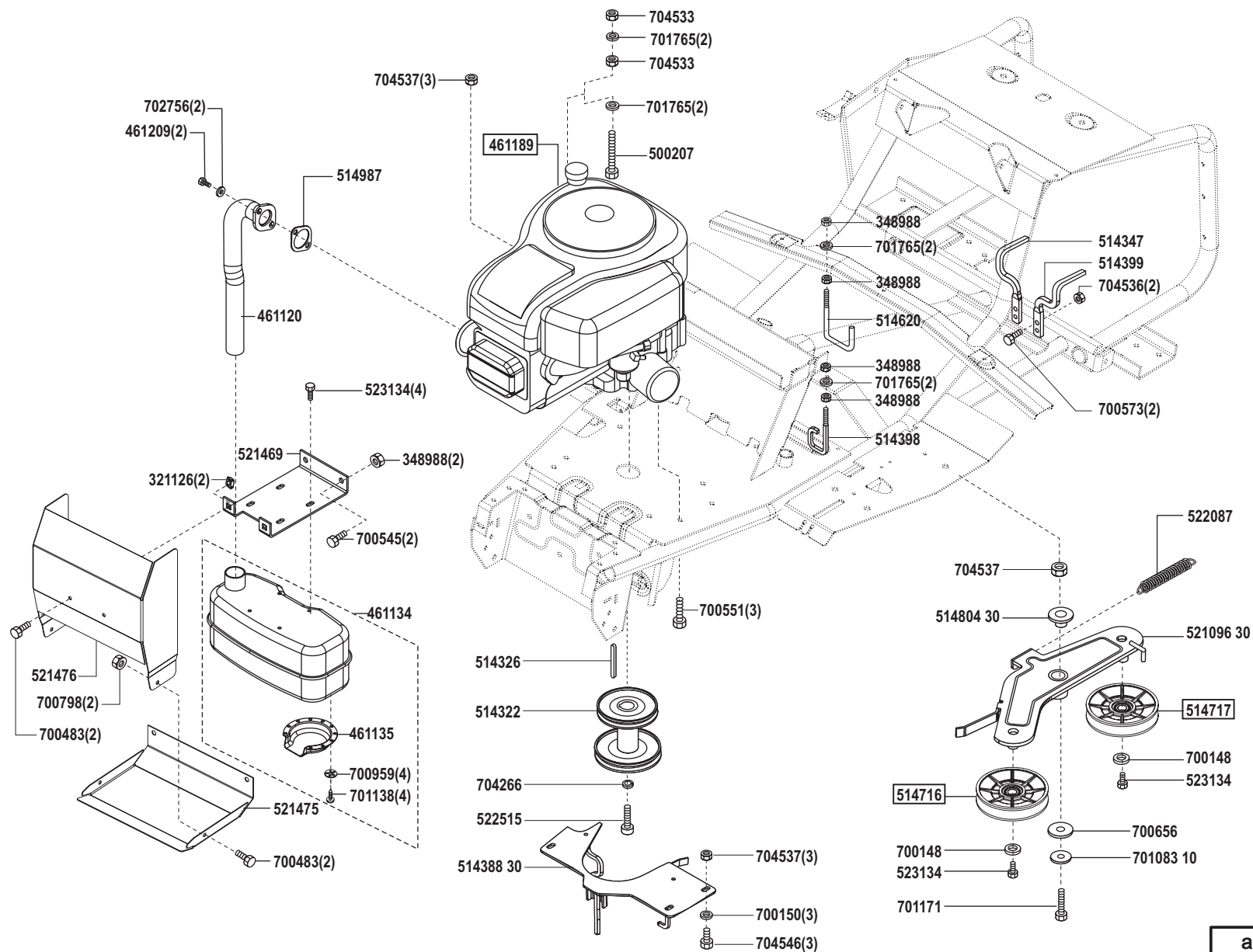
Art. Nr. 118914



a	b	c	d	e	f
---	---	---	---	---	---

# T 850 R

Art. Nr. 118914



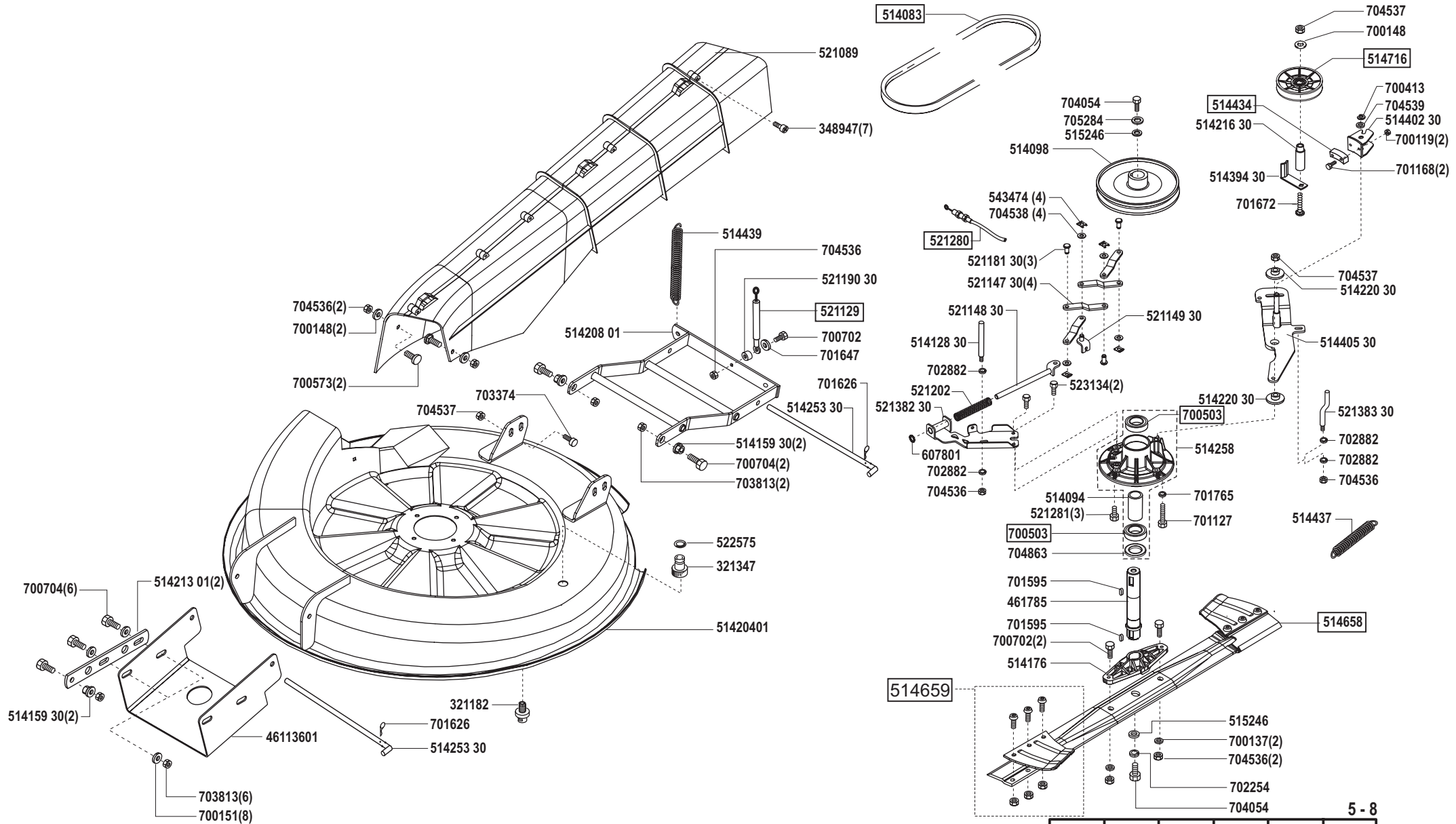
a	b	c	d	e	f
---	---	---	---	---	---

# T 850 R

Art. Nr. 118914

# ALKO

Garten+Hobby

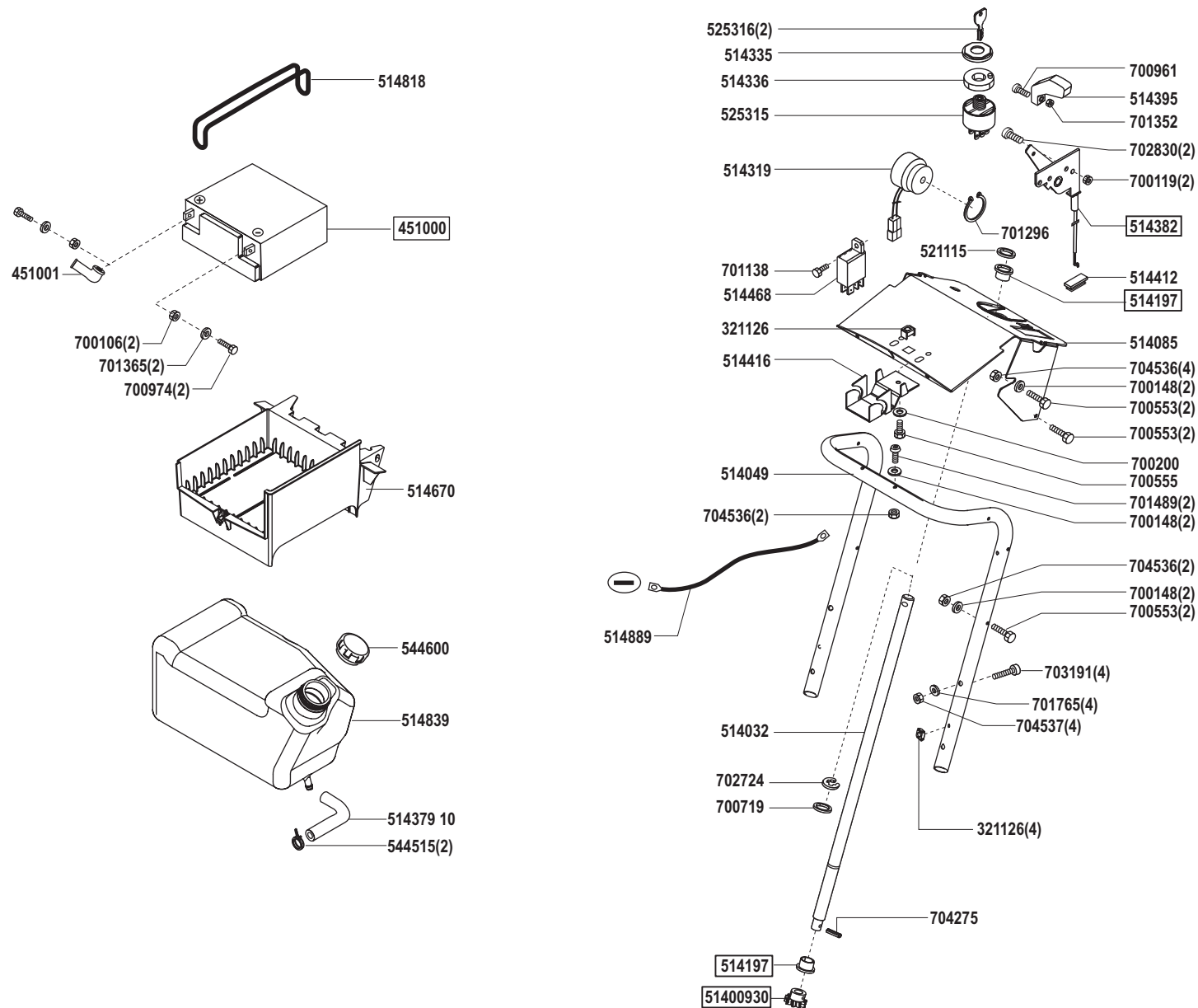


5 - 8

a	b	c	d	e	f
02/07					

# T 850 R

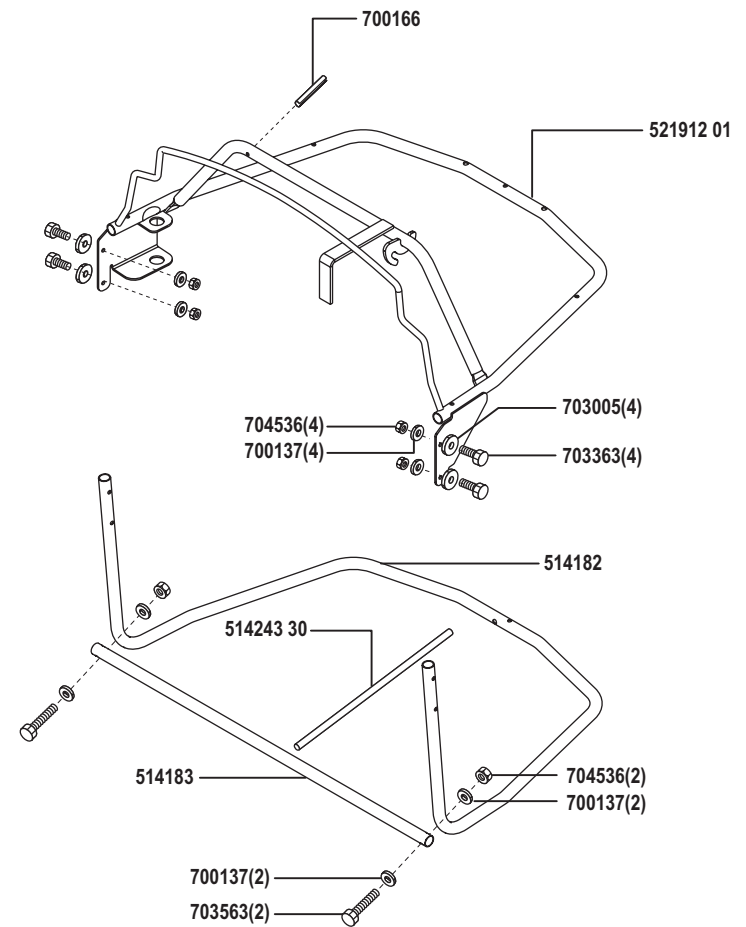
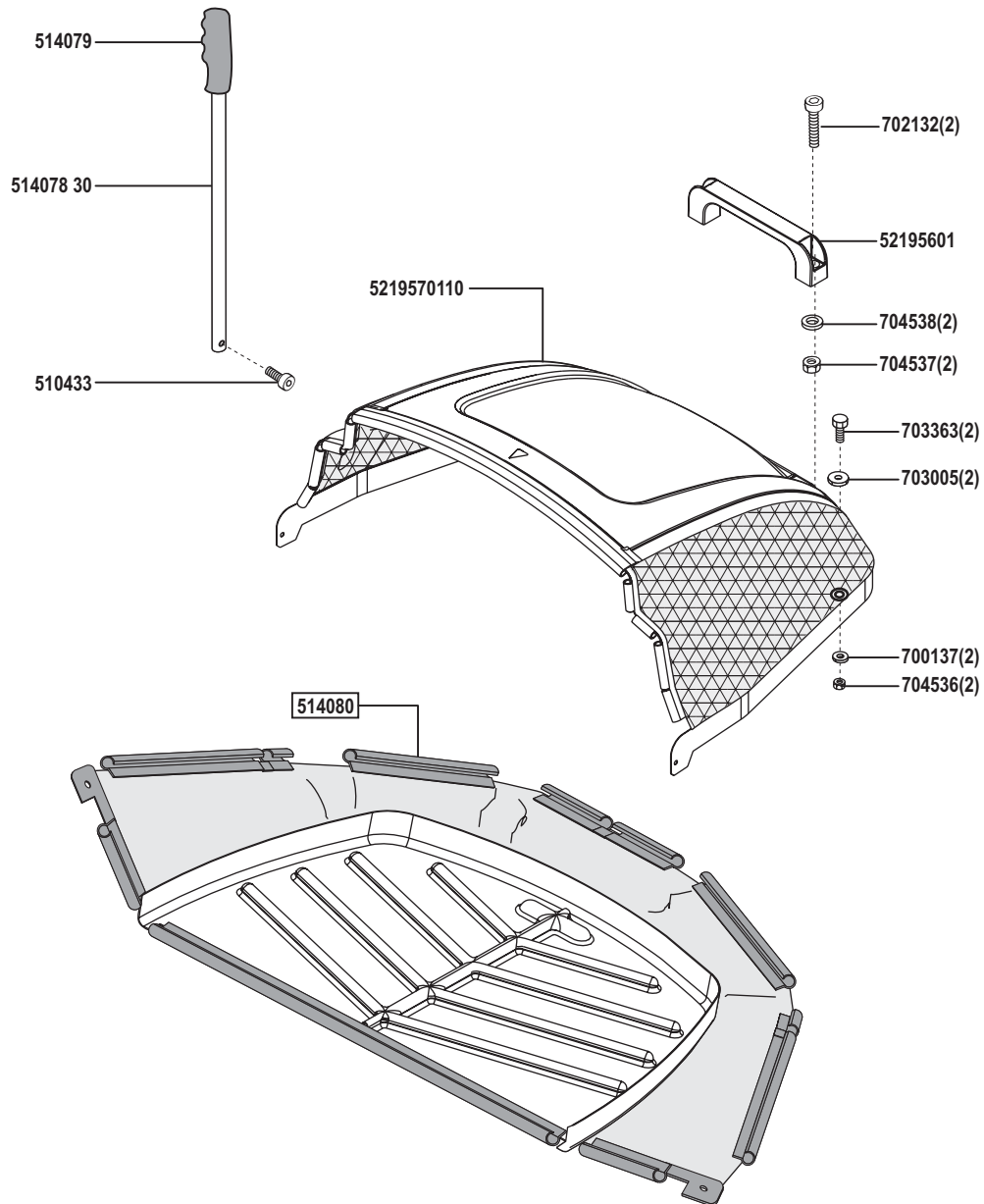
Art. Nr. 118914



a	b	c	d	e	f
---	---	---	---	---	---

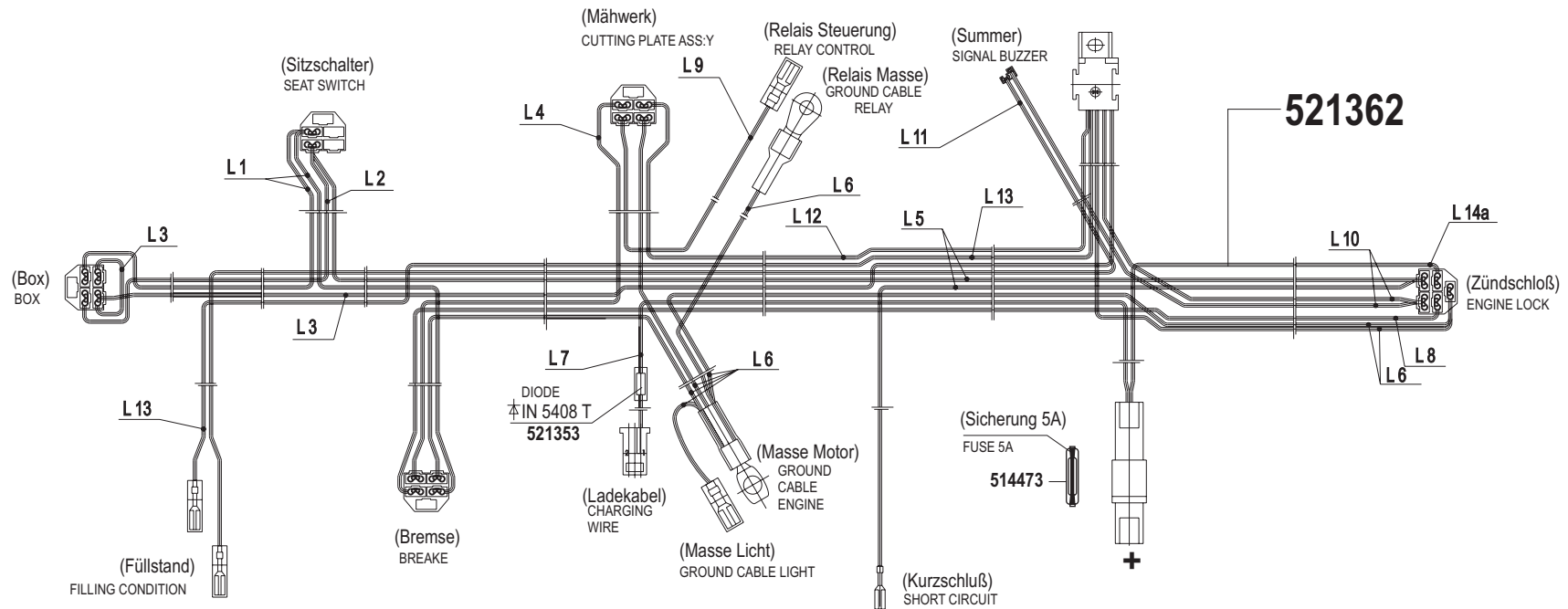
# T 850 R

Art. Nr. 118914

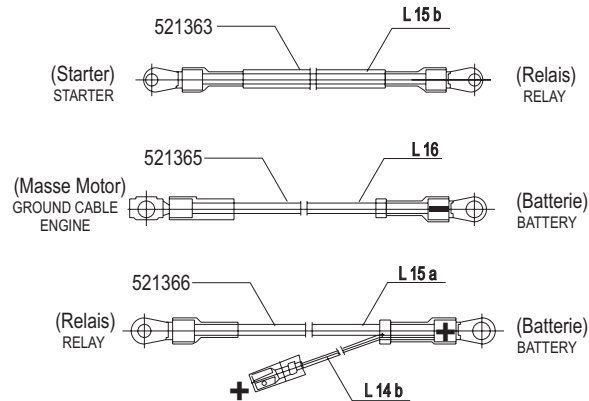


7 - 8

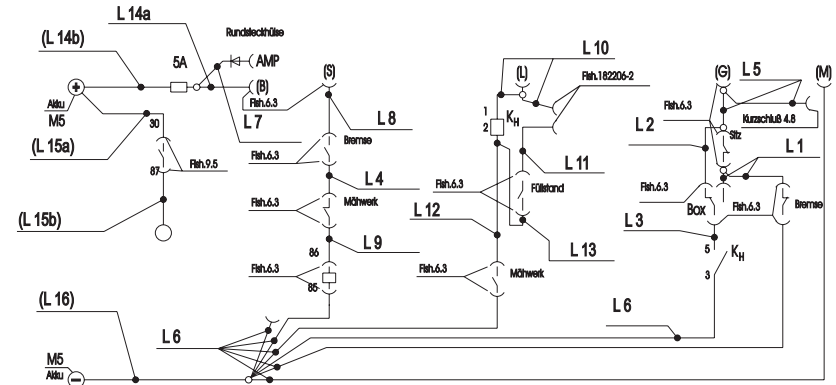
a	b	c	d	e	f
---	---	---	---	---	---



- |          |             |            |
|----------|-------------|------------|
| L 1      | = rosa      | pink       |
| L 2      | = grau      | grey       |
| L 3      | = weiß      | white      |
| L 4      | = braun     | brown      |
| L 5      | = grün      | green      |
| L 6      | = schwarz   | black      |
| L 7      | = rot       | red        |
| L 8      | = violett   | violet     |
| L 9      | = orange    | orange     |
| L 10     | = gelb      | yellow     |
| L 11     | = blau      | blue       |
| L 12     | = rot/weiß  | red/white  |
| L 13     | = weiß/blau | white/blue |
| L 14 a   | = rot       | red        |
| (L 14 b) | = rot       | red        |
| (L 15 a) | = rot       | red        |
| (L 15 b) | = rot       | red        |
| (L 16)   | = blau      | blue       |



**Schaltplan Traktor E-Start**  
CONNECTION DIAGRAM E-STARTER



[http://www.gardening-tools-direct.co.uk/content/petrol\\_hedge\\_cutters.htm](http://www.gardening-tools-direct.co.uk/content/petrol_hedge_cutters.htm)  
[http://www.gardening-tools-direct.co.uk/content/leaf\\_blowers.htm](http://www.gardening-tools-direct.co.uk/content/leaf_blowers.htm)  
<http://www.gardening-tools-direct.co.uk/content/strimmers.htm>  
[http://www.gardening-tools-direct.co.uk/content/petrol\\_lawn\\_mowers.htm](http://www.gardening-tools-direct.co.uk/content/petrol_lawn_mowers.htm)  
[http://www.gardening-tools-direct.co.uk/content/electric\\_hedge\\_cutters.htm](http://www.gardening-tools-direct.co.uk/content/electric_hedge_cutters.htm)  
[http://www.gardening-tools-direct.co.uk/content/hedge\\_trimmers.htm](http://www.gardening-tools-direct.co.uk/content/hedge_trimmers.htm)  
[http://www.gardening-tools-direct.co.uk/content/petrol\\_shredders.htm](http://www.gardening-tools-direct.co.uk/content/petrol_shredders.htm)  
[http://www.gardening-tools-direct.co.uk/content/garden\\_strimmers.htm](http://www.gardening-tools-direct.co.uk/content/garden_strimmers.htm)  
[http://www.gardening-tools-direct.co.uk/content/lawn\\_sweepers.htm](http://www.gardening-tools-direct.co.uk/content/lawn_sweepers.htm)  
<http://www.gardening-tools-direct.co.uk/content/tillers.html>  
[http://www.gardening-tools-direct.co.uk/content/kranzle\\_pressure\\_washers.html](http://www.gardening-tools-direct.co.uk/content/kranzle_pressure_washers.html)  
<http://www.gardening-tools-direct.co.uk/content/walk-behind-leaf-vacs.html>  
<http://www.gardening-tools-direct.co.uk/content/dori-cultivators.html>  
<http://www.gardening-tools-direct.co.uk/content/merry-tiller-cultivators.html>  
<http://www.gardening-tools-direct.co.uk/content/alpina-lawn-mowers.html>  
<http://www.gardening-tools-direct.co.uk/content/log-splitters.htm>  
[http://www.gardening-tools-direct.co.uk/content/lawn\\_tractors.htm](http://www.gardening-tools-direct.co.uk/content/lawn_tractors.htm)